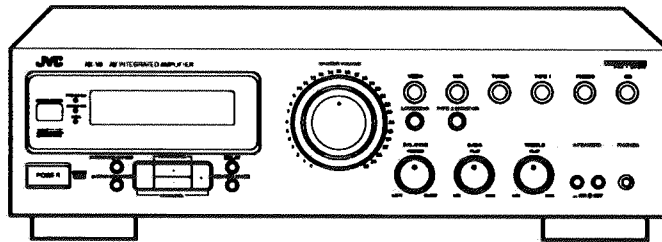


# JVC

# SERVICE MANUAL

## AV INTEGRATED AMPLIFIER

# AX-V6BK



Area Suffix	
A	Australia
BS	the U.K.
EF	Continental Europe
EN	Scandinavia
G	Germany
UT	Taiwan
U	Other Area

**COMPU LINK**  
 Remote Control Component

## Contents

<i>Safety Precautions</i> .....	1-2	<i>Adjustment Procedures</i> .....	1-24
<i>Instruction Book</i> .....	1-3	<i>Block Diagrams</i> .....	1-25
<i>Description of Major ICs</i> .....	1-13	<i>Printed Circuit Boards</i> .....	1-27
<i>Internal Connection of Display</i> .....	1-20	<i>Schematic Diagrams</i> .....	1-31
<i>Disassembly Procedures</i> .....	1-21	<i>Parts List</i> .....	2-1

## Safety Precautions

1. The design of this product contains special hardware and many circuits and components specially for safety purposes. For continued protection, no changes should be made to the original design unless authorized in writing by the manufacturer. Replacement parts must be identical to those used in the original circuits. Services should be performed by qualified personnel only.
2. Alterations of the design or circuitry of the product should not be made. Any design alterations of the product should not be made. Any design alterations or additions will void the manufacturer's warranty and will further relieve the manufacture of responsibility for personal injury or property damage resulting therefrom.
3. Many electrical and mechanical parts in the products have special safety-related characteristics. These characteristics are often not evident from visual inspection nor can the protection afforded by them necessarily be obtained by using replacement components rated for higher voltage, wattage, etc. Replacement parts which have these special safety characteristics are identified in the Parts List of Service Manual. Electrical components having such features are identified by shading on the schematics and by ( $\Delta$ ) on the Parts List in the Service Manual. The use of a substitute replacement which does not have the same safety characteristics as the recommended replacement parts shown in the Parts List of Service Manual may create shock, fire, or other hazards.
4. The leads in the products are routed and dressed with ties, clamps, tubings, barriers and the like to be separated from live parts, high temperature parts, moving parts and/or sharp edges for the prevention of electric shock and fire hazard. When service is required, the original lead routing and dress should be observed, and it should be confirmed that they have been returned to normal, after re-assembling.
5. Leakage current check (Electrical shock hazard testing)  
After re-assembling the product, always perform an isolation check on the exposed metal parts of the product (antenna terminals, knobs, metal cabinet, screw heads, headphone jack, control shafts, etc.) to be sure the product is safe to operate without danger of electrical shock.

Do not use a line isolation transformer during this check.

- Plug the AC line cord directly into the AC outlet. Using a "Leakage Current Tester", measure the leakage current from each exposed metal parts of the cabinet, particularly any exposed metal part having a return path to the chassis, to a known good earth ground. Any leakage current must not exceed 0.5mA AC (r.m.s.).

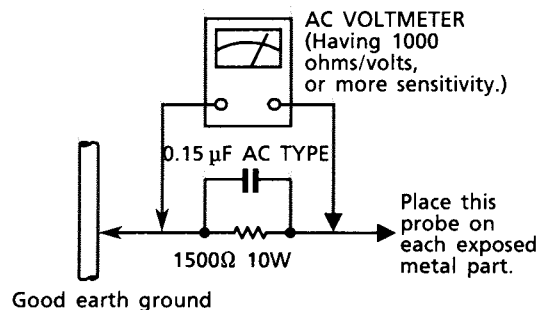
- Alternate check method

Plug the AC line cord directly into the AC outlet. Use an AC voltmeter having, 1,000 ohms per volt or more sensitivity in the following manner. Connect a 1,500 $\Omega$  10 W resistor paralleled by a 0.15  $\mu$ F AC-type capacitor between an exposed metal part and a known good earth ground.

Measure the AC voltage across the resistor with the AC voltmeter.

Move the resistor connection to each exposed metal part, particularly any exposed metal part having a return path to the chassis, and measure the AC voltage across the resistor.

Now, reverse the plug in the AC outlet and repeat each measurement. Any voltage measured must not exceed 0.75 V AC (r.m.s.). This corresponds to 0.5 mA AC (r.m.s.).



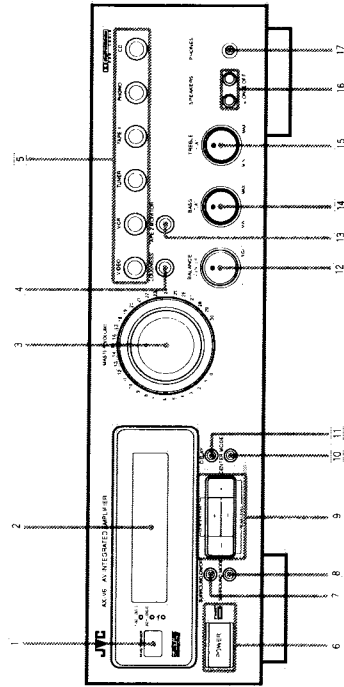
## Warning

1. This equipment has been designed and manufactured to meet international safety standards.
2. It is the legal responsibility of the repairer to ensure that these safety standards are maintained.
3. Repairs must be made in accordance with the relevant safety standards.
4. It is essential that safety critical components are replaced by approved parts.
5. If mains voltage selector is provided, check setting for local voltage.

- Introduction ..... 2
- Switches, Buttons and Controls ..... 2
- Getting Started ..... 3
- Before Installation ..... 3
- Checking the Supplied Accessories ..... 3
- Connecting the Speakers ..... 4
- Connecting Audio/Video Components ..... 6
- Connecting Audio Components for the COMPU LINK-3 Remote Control System ..... 7
- Power Supply through the AX-V6BK to a Connected Component ..... 7
- Connecting the Power Cord ..... 8
- Putting Batteries in the Remote Control ..... 8
- Basic Operations** ..... 9
- Turning the Power On and Off ..... 9
- Selecting the Source to Play ..... 9
- Selecting the Front Speakers ..... 10
- Adjusting the Volume ..... 10
- Adjusting the Front Speaker Output Balance ..... 10
- Adjusting the Tone ..... 10
- Listening at Low Volume (Loudness) ..... 11
- Recording a Source ..... 11
- Listening with Headphones ..... 11
- Using the Surround Processor** ..... 12
- Using JVC's Hall Surround ..... 12
- Preparing for the Dolby Surround ..... 14
- Using the Dolby Surround ..... 15
- Other Features** ..... 16
- Recording Monitor ..... 16
- Using the Remote Control ..... 17
- COMPU LINK Remote Control System ..... 18
- Troubleshooting** ..... 19
- Specifications** ..... 20

Become familiar with the main switches and controls on your AX-V6BK before use.

Switches, Buttons and Controls



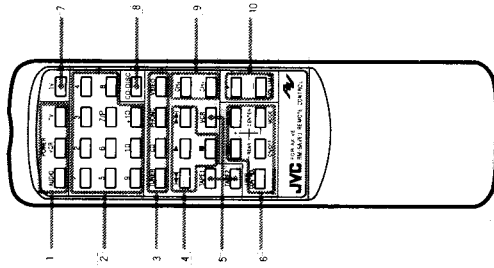
Refer to the pages in parentheses for details.

Front Panel

- 1 Remote sensor
- 2 Display (9)
- 3 MASTER VOLUME control (10)
- 4 LOUDNESS button (11)
- 5 Source selecting buttons (VIDEO, VCR, TUNER, TAPE), PHONO, CD (9)
- 6 POWER button and STANDBY indicator (9)
- 7 SURROUND ON/OFF button (12, 14, 15)
- 8 SURROUND MODE button (12, 14, 15)
- 9 REAR LEVEL/CENTER LEVEL buttons (+/-) (15)
- 10 CENTER MODE button (14)
- 11 DELAY button (14)
- 12 BALANCE control (10)
- 13 TAPE MONITOR button (9, 16)
- 14 BASS control (10)
- 15 TREBLE control (10)
- 16 SPEAKERS 1/2 buttons (10)
- 17 PHONES jack (11)

Remote Control

- 1 POWER buttons (9, 17)
- 2 10 keys (17)
- 3 Source selecting buttons (TUNER, CD, PHONO, VIDEO) (9, 17)
- 4 Operating buttons for JVC audio/video components (17)
- 5 Source selecting buttons (TAPE), TAPE2, VCR (9, 17)
- 6 Surround adjustment buttons (14, 15)
- 7 TV button (17)
- 8 CD-DISC button (17)
- 9 CH buttons (+/-) (17)
- 10 VOLUME buttons (+/-) (10)



**Getting Started**

This section explains how to connect stereo components and speakers to the AX-V6BK, and how to connect the power supply.

**Before Installation**

**General**

- Be sure your hands are dry.
- Turn the power off to all components.
- Read the manuals supplied with the components you are going to connect.

**Locations**

- Install the amplifier in a location that is level and protected from moisture.
- The temperature around the amplifier must be between 23° and 104° F (-5° and 40° C).
- Make sure there is good ventilation around the amplifier. Poor ventilation could cause overheating and damage the amplifier.

**Handling the amplifier**

- Do not insert any metal object into the amplifier.
- Do not disassemble the amplifier or remove screws, covers, or cabinet.
- Do not expose the amplifier to rain or moisture.

**Checking the Supplied Accessories**

Check to be sure you have all of the following items, which are supplied with the AX-V6BK. The number in the parentheses indicates quantity of the pieces supplied.

- Remote Control (1)
- Batteries (2)
- Mains Plug (only for the U.K.) (1)

If anything is missing, contact your dealer immediately.

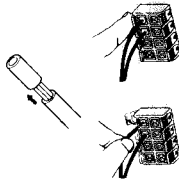
**Connecting the Speakers**

You can connect the following speakers:

- Two sets of front speakers to produce normal stereo sound
- One set of rear speakers to enjoy the surround effect
- One center speaker to produce more effective surround effect (to make human voices clearer)

For each speaker, connect one end of the speaker signal cable (not supplied) to the speaker terminal on the rear panel and the other end to the speaker.

1. Open each terminal.
2. Insert the end of the speaker signal cable as shown (be sure to remove the insulation at the end of each wire first).
3. Close the terminals to clamp the speaker signal cables firmly in place.
4. Connect the black (-) and red (+) terminals on the rear panel to the black (-) and red (+) terminals marked on the speakers.

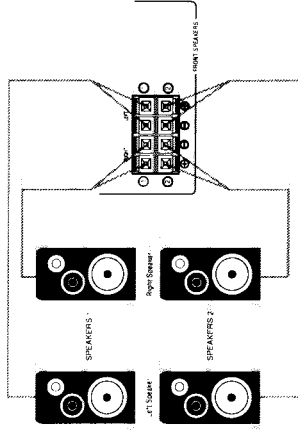


**CAUTION:**

Use speakers with the same impedance as marked near the terminals on the rear panel.

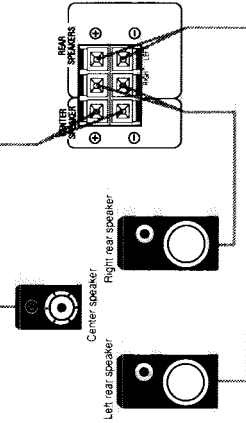
**Connecting the front speakers**

Connect the front speakers to the FRONT SPEAKERS terminals.



**Connecting the rear and center speakers**

Connect rear speakers to the REAR SPEAKERS terminals and a center speaker to the CENTER SPEAKER terminals.



**Note:**

When you connect rear speakers, make sure that both left and right speakers are connected; otherwise, no sound will come out of the rear speakers.

About the speaker impedance of the speakers

CAUTION:

When connecting speakers, use speakers with the same SPEAKER IMPEDANCE indicated by the speaker terminals.

Notes:

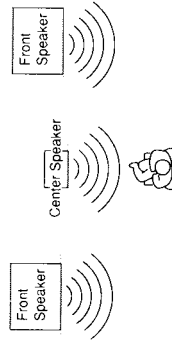
- The required speaker impedance of the front speakers differs, depending on whether or not a center and/or rear speakers are connected at the same time. Since there are four possible speaker connections with your AX-V6BK, check with us in your case and use the speaker with the impedance described below.
- The required speaker impedance of the front speakers does not differ, depending on whether both the FRONT SPEAKERS 1 and FRONT SPEAKERS 2 terminals are used or only one of them is used.

CASE 1 When you connect only front speakers



Use front speakers with 4 — 16 ohm impedance.

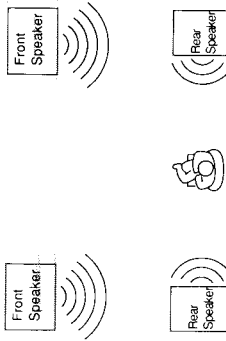
CASE 2 When you connect front speakers and a center speaker



Use the following speakers:

- Front speakers: 8 — 16 ohm impedance
- Center speaker: 8 — 16 ohm impedance

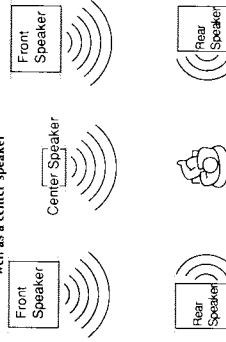
CASE 3 When you connect front and rear speakers



Use the following speakers:

- Front speakers: 8 — 16 ohm impedance
- Rear speakers: 8 — 16 ohm impedance

CASE 4 When you connect front and rear speakers as well as a center speaker



Use the following speakers:

- Front speakers: 8 — 16 ohm impedance
- Rear speakers: 8 — 16 ohm impedance
- Center speaker: 8 — 16 ohm impedance

Connecting Audio/Video Components

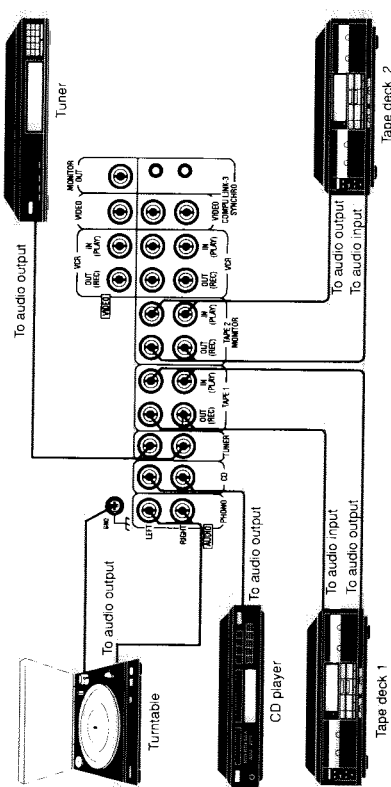
You can connect the following components to the amplifier using cables with RCA pin plugs.

Audio Components	Video Components
• Turntable	• VCR
• CD player	• Video disc player
• Tape decks	• TV
• Tuner	

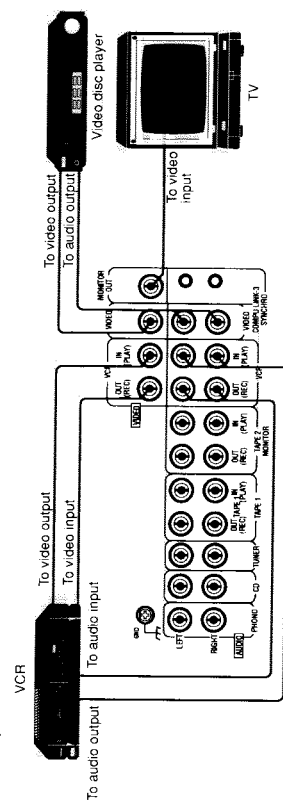
Notes:

- Both plugs and jacks are color-coded: the red ones are for right audio signals, the white ones for left audio signals, and yellow ones for video signals.
- Any turntable incorporating a small-output cartridge such as an MC (moving-coil type) must be connected to this amplifier through a commercial head amplifier or step-up transformer. Direct connection may result in insufficient volume.
- If a ground cable is provided for your turntable, connect the cable to the screw marked GND on the rear panel.

Audio component connections



Video component connections



CAUTION:

If you connect a sound-increasing device such as a graphic equalizer between the source components and this amplifier, the sound output through this amplifier may be distorted.

**Connecting the Power Cord**

Before plugging the AX-V6BK into an AC outlet, make sure that all connections have been made. When the power cord is connected, the STANDBY indicator aside the POWER button lights up. Keep the power cord away from the connecting cables for the TV, VCR, and antenna. The power cord may cause radio or screen interference. We recommend that you use a coaxial cable to connect the antenna, since it is well-shielded against interference.

**Notes:**

- A small amount of power is always consumed even in standby mode. To switch off the power completely, unplug the power cord from the AC outlet.
- If the power cord is unplugged or a power failure occurs, preset settings will be erased in a few days.

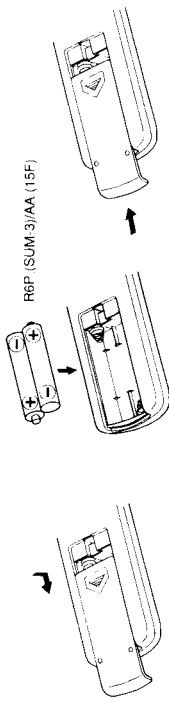
**CAUTIONS:**

- Do not touch the power cord with wet hands.
- Do not pull on the power cord to unplug the amplifier. When unplugging the amplifier, always grasp the plug itself so as not to damage the cord.

**Putting Batteries in the Remote Control**

Before using the remote control, put two supplied batteries first.

- On the back of the remote control, press down on the battery cover and slide it out.
- Insert batteries. Make sure to observe the proper polarity: (+) to (+) and (-) to (-).
- Slide the cover in.



If the range or effectiveness of the remote control decreases, replace the batteries. Use two R6P (SUM-3) AA (15F) type dry-cell batteries.

**CAUTIONS:**

- Follow these precautions to avoid leaking or cracking cells.
- Place batteries in the remote control so they match the polarity indicated: (+) to (+) and (-) to (-).
- Use the correct type of batteries. Batteries that look similar may differ in voltage.
- Always replace both batteries at the same time.
- Do not expose batteries to heat or flame.

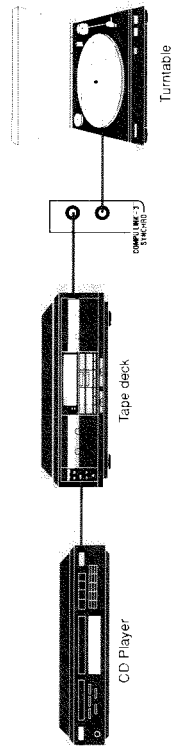
**Connecting Audio Components for the COMPU LINK-3 Remote Control System**

The COMPU LINK-3 remote control system allows you to control other JVC audio components from the AX-V6BK or vice versa. To use this system, connect your JVC audio components and the AX-V6BK with the cable (mountain mini-plug) supplied with those components.

If your audio component has two COMPU LINK-3 SYNCHRO jacks, you can use either one. If it has only one COMPU LINK-3 SYNCHRO jack, connect it so that it is the last item in the series of components; for example, the turntable in the diagram below.

**Notes:**

- The COMPU LINK-3 remote control system is the approved version of the COMPU LINK-1 and COMPU LINK-2. Even if your components has the COMPU LINK-1 or COMPU LINK-2 jacks, you can still connect it in the COMPU LINK-3 remote control system, but some functions may not work correctly.
- For more information about the COMPU LINK-3 1, 1 and 2 remote control system, see page 15.



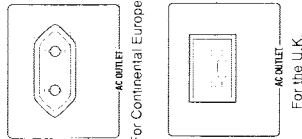
**CAUTION:** The COMPU LINK-3 remote control system cannot control the tape deck connected to the TAPE2 MONITOR jacks. Use only the tape deck connected to the TAPE1 jacks.

**Power Supply through the AX-V6BK to a Connected Component**

You can use the AC outlet on the rear of the AX-V6BK to supply power to an audio component. This AC outlet is "switched" outlet. So when the AX-V6BK is off (that is, in standby mode), power is not supplied through this outlet. By turning the AX-V6BK on and off, you can turn the connected component on and off at the same time.

**Note:** Do not use the AC outlet on the rear of the AX-V6BK to supply power to the component in the COMPU LINK remote control system; otherwise, the COMPU LINK remote control system may not work correctly.

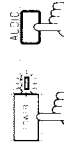
**CAUTION:** Do not plug the component to the AC outlet on the rear if the maximum consumption is greater than indicated by the AC outlet.



## Basic Operations

The following operations are commonly used when you play any sound source.

### Turning the Power On and Off



On the front panel:  
From the remote control:

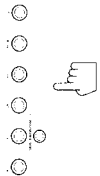
To turn on the power, press the POWER button on the front panel or the AUDIO button on the remote control. The STANDBY indicator goes off.

To turn off the power, press the POWER button or AUDIO button on the remote control again. The STANDBY indicator lights up.

### Selecting the Source to Play

You need to select the source to listen before you start playing any source.

Press one of the source selecting buttons so that the source name appears on the display.



Selected source name appears

#### On the front panel:

**VIDEO**... View the video component connected to the VIDEO jacks.  
**VCR**... View the video component connected to the VCR jacks.  
**TUNER**... Listen to the tuner.  
**TAPE1**... Listen to the tape deck connected to the TAPE1 jacks.  
**PHONO**... Listen to a record.  
**CD**... Listen to the CD player.  
**TAPE2 MONITOR**... Listen to the tape deck connected to the TAPE2 MONITOR jacks.

#### From the remote control:

**VIDEO**... View the video component connected to the VIDEO jacks.  
**VCR**... View the video component connected to the VCR jacks.  
**TUNER\***... Listen to the tuner.  
**TAPE1\***... Listen to the tape deck connected to the TAPE1 jacks.  
**PHONO\***... Listen to a record.  
**CD\***... Listen to the CD player.  
**TAPE2..**... Listen to the tape deck connected to the TAPE2 MONITOR jacks.

#### Notes:

- \* The TAPE2 MONITOR button on the front panel and the TAPE2 button on the remote control have a different function from other source selecting buttons. Since this button allows you to monitor the recording. For more details, see "Recording Monitor" on page 16.
- \*\* When you press one of the source selecting buttons on the remote control marked above with an asterisk, the AX-V6BK automatically turns on.

### Selecting the Front Speakers

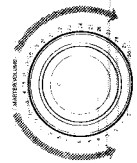
When you have connected two sets of front speakers, you can select which to use. Pressing in the SPEAKERS 1 or SPEAKERS 2 button activates the respective set of speakers.



To use the set of speakers connected to the FRONT SPEAKERS 1 terminals, press in the SPEAKERS 1 button (ON), and press out the SPEAKERS 2 button (OFF).  
 To use the set of speakers connected to the FRONT SPEAKERS 2 terminals, press in the SPEAKERS 2 button (ON), and press out the SPEAKERS 1 button (OFF).  
 To use both sets of speakers, press in both the SPEAKERS 1 and 2 buttons (ON).  
 To use neither set of speakers, press out both the SPEAKERS 1 and 2 buttons (OFF).

**Note:**  
 When only one set of front speakers is connected to either the FRONT SPEAKERS 1 or 2 terminals, do not press in both SPEAKERS 1 and 2 buttons (ON). If you do, no sound comes out of the front speakers.

### Adjusting the Volume



On the front panel:

To increase the volume, turn the MASTER VOLUME control clockwise.  
 To decrease the volume, turn it counterclockwise.

From the remote control:

To increase the volume, press the VOLUME + button.  
 To decrease the volume, press the VOLUME - button.

On the front panel



From the remote control

#### CAUTION:

Always set the MASTER VOLUME control to the minimum before starting any source. If the MASTER VOLUME control is left turned up, the sudden blast of sound energy can permanently damage your hearing and/or ruin your speakers.

### Adjusting the Front Speaker Output Balance

If the sounds you hear from the front right and left speakers are unequal, you can adjust the speaker output balance with the BALANCE control.



To decrease the left channel sound, turn the BALANCE control clockwise.  
 To decrease the right channel sound, turn it counterclockwise.

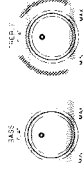
### Adjusting the Tone

#### Adjusting the bass



To increase the bass reinforcement, turn the BASS control clockwise.  
 To decrease the bass reinforcement, turn it counterclockwise.  
 When set to the FLAT position, no bass reinforcement is applied.

#### Adjusting the treble



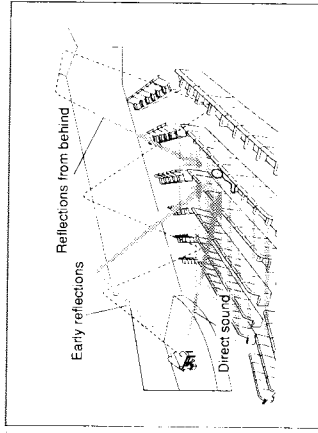
To increase the treble reinforcement, turn the TREBLE control clockwise.  
 To decrease the treble reinforcement, turn it counterclockwise.  
 When set to the FLAT position, no treble reinforcement is applied.

**Using the Surround Processor**

The built-in surround processor provides three types of sound programs—Dolby Pro Logic, Dolby 3 Channel Logic, and JVC's Hall Surround.

**What is surround?**

The sound heard in a concert hall or a movie theater consists of direct sound and indirect sound: early reflections and reflections from behind. The reflected sounds are always delayed by the distances of the ceiling and walls from the listener. These reflections are some of the most important elements of the acoustic surround.



**On JVC's Hall Surround**

In order to reproduce a more realistic sound field in your listening room while playing an ordinary stereo source, JVC's Hall Surround has been designed to give you clear vocals and to create the feeling of a concert hall. The sound is reproduced through the front speakers and rear speakers.

**On Dolby Surround**

The Dolby Surround has been also developed to reproduce the important elements of the acoustic surround at home. To watch the soundtracks of video software bearing the mark **DOLBY SURROUND**\*, which includes the same encoded surround information as found in Dolby Stereo films, the AX-V6BK can provide you with 2 Dolby Surround programs (Dolby Pro Logic and Dolby 3ch Logic).

**Dolby Pro Logic:** Select this mode when the optional rear speakers are connected.  
**Dolby 3ch Logic:** Select this mode when no rear speakers are connected.

**Notes:**

- The surround processor has no effect on monaural sources.
- The surround processor cannot be used for recording.

\* Manufactured under license from Dolby Laboratories Licensing Corporation. DOLBY and the double-D symbol are trademarks of Dolby Laboratories Licensing Corporation.

**Using JVC's Hall Surround**

You need to connect one set of rear speakers to obtain the full effect.

1. Press the **SURROUND ON/OFF** button (or the **ON/OFF** button on the remote control). One of the surround program indicators (PRO LOGIC, 3CH LOGIC, or HALL) lights up on the display.
2. Press the **SURROUND MODE** button (or the **MODE** button on the remote control) repeatedly until the **HALL** indicator lights up on the display.

To cancel the Hall Surround, press the **SURROUND ON/OFF** button (or the **ON/OFF** button on the remote control) again.

**Note:**

You can also adjust the delay time (see Step 4 on page 14) and the sound level of the rear speakers (see Step 6 on page 15) for Hall Surround. Once you have adjusted the delay time for the Hall Surround, the AX-V6BK memorizes the setting.



**Listening at Low Volume (Loudness)**



Human ears are not sensitive to bass at low volume. To compensate for this, the loudness function automatically boosts the bass level as you lower the volume.

To use the loudness function, press the **LOUDNESS** button. The **LOUDNESS** indicator lights up on the display.

To turn the function off, press the **LOUDNESS** button again. The **LOUDNESS** indicator goes off.

**Recording a Source**

You can record any source playing (other than the tape deck connected to the **TAPE MONITOR** jacks) through the AX-V6BK to the tape decks connected to the **TAPE** and **TAPE MONITOR** jacks, and the VCR connected to the **VCR** jacks at the same time. While recording, you can listen to the selected sound source at whatever sound and tone settings you like, without affecting the sound levels of the recording.

**Notes:**

- You cannot record from the tape deck connected to the **TAPE MONITOR** jacks to the one connected to the **TAPE** jacks (or the **VCR** jacks).
- The output volume level, tone adjustment, as well as surround effects cannot affect the recording.
- See also "Recording Monitor" on page 16.

**Listening with Headphones**

A standard pair of headphones can be connected to the **PHONES** jack on the front panel. Be sure to turn down the volume before connecting or putting on headphones, as high volume can damage both the headphones and your hearing.

**To listen with only headphones**

Press out both the **SPEAKERS 1** and **2** buttons (■OFF).



**Preparing for the Dolby Surround**

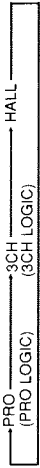
The AX-V6BK memorizes two sets of Dolby Surround adjustments: one for Pro Logic and the other for 3ch Logic. However, the sound levels of center and rear speakers cannot be stored separately.

1. Press the **SURROUND ON/OFF** button or the **ON/OFF** button on the remote control.



2. Press the **SURROUND MODE** button (or the **MODE** button on the remote control).

Each time you press the button, the surround program changes as follows:



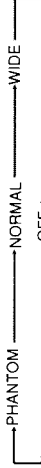
**PRO LOGIC:** Select this mode when you use the rear speakers

**3CH LOGIC:** Select this mode when you use no rear speakers

**HALL:** This is JVC's original surround program, and is different from the Dolby Surround. To use this, see page 12.

3. Press the **CENTER MODE** button.

Each time you press the **CENTER MODE** button, the mode changes as follows.



**PHANTOM:** Select this mode when you have not connected a center speaker.

**NORMAL:** Select this mode when the size of the center speaker is smaller than that of the front speakers.

**WIDE:** Select this mode when the size of the center speaker is the same as that of the front speakers.

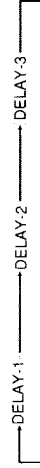
**OFF:** Select this mode to shut off the output of the center channel signal.

*Note:*

When you have selected **3CH LOGIC** in Step 2 above, you cannot select **PHANTOM**.

4. Press the **DELAY** button to set the delay time of the delayed sound.

Each time you press the button, the delay time changes among 3 levels.



**DELAY-1:** When your distance to your rear speakers is greater than that to the front speakers.

**DELAY-2:** When your distance to your rear speakers is almost equal to that to the front speakers.

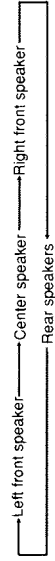
**DELAY-3:** When your distance to your rear speakers is less than that to the front speakers.

*Note:*

When you have selected **3CH LOGIC** in Step 2 above, you cannot adjust the delay time.

5. Press the **TEST** button on the remote control to check your setting.

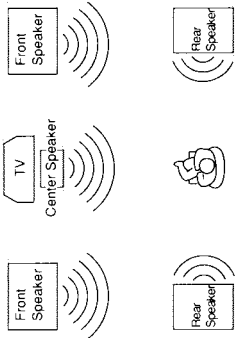
When you press the button, "TEST" starts blinking and a test tone comes out of speakers in the following order:



**Speaker arrangements for Dolby Surround**

The following illustrations show how to obtain the optimum sound environment for various Dolby Surround settings. Try to find the speaker direction and location to create the optimum sound field.

**CASE 1** When you have added a center speaker and rear speakers

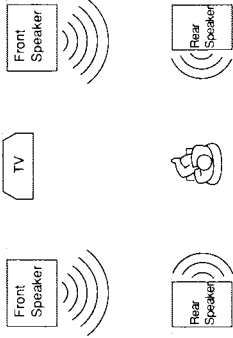


**In this case:**

1. Select **PRO LOGIC**.
2. Select **NORMAL** or **WIDE** for center mode.

See page 14 for more details.

**CASE 2** When you have added rear speakers

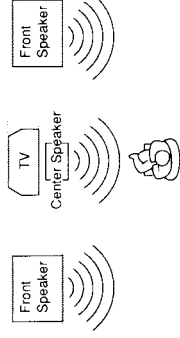


**In this case:**

1. Select **PRO LOGIC**.
2. Select **PHANTOM** for center mode.

See page 14 for more details.

**CASE 3** When you have added a center speaker (without rear speakers)



**In this case:**

1. Select **3CH LOGIC**.
2. Select **NORMAL** or **WIDE** for center mode.

See page 14 for more details.

**Other Features**

The AX-V6BK has some other features like recording monitor function and others. By using these useful features, your audio file will be much improved.

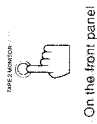
**Recording Monitor**

If the tape deck connected to the TAPE2 MONITOR jacks is of the three-head type, you can compare the sound quality of the playing source and of the recording being made on the tape deck.

**To use the recording monitor function**  
 Press the TAPE2 MONITOR button on the front panel or the TAPE2 button on the remote control. The TAPE2 MONITOR indicator lights up on the display. You can hear the sound just recorded on the tape.

**To cancel recording monitor function**  
 Press the TAPE2 MONITOR button or the TAPE2 button again. The TAPE2 MONITOR indicator goes off, and you hear the sound from the source playing.

- Notes:**
- Refer also to the manual supplied with your tape deck.
  - Do not press the TAPE2 MONITOR (or TAPE2) button if no component is connected to the TAPE2 MONITOR jacks; otherwise, no sound comes out of the speakers.



On the front panel



From the remote control

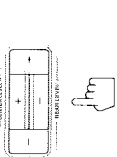
6. Set the levels of center and rear speakers.

**On the front panel:**  
 Press the CENTER LEVEL +/- button to set the sound level of the center speaker.  
 Press the REAR LEVEL +/- button to set the sound level of the rear speakers.

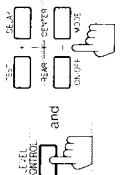
**From the remote control:**  
 Press the CENTER +/- button while pressing the LEVEL CONTROL button to set the sound level of the center speaker.  
 Press the REAR +/- button while pressing the LEVEL CONTROL button to set the sound level of the rear speakers.

- Notes:**
- Adjust only these levels in 1dB steps within the range of ±10dB. The sound levels of the left and right rear speakers will be the same.
  - You cannot set the sound level of the rear speakers when you have selected 3CH LOGIC.
  - You cannot set the sound level of the center speaker when you select PHANTOM OFF for center mode.
  - Although the sound levels of center and rear speakers can be stored, they are not stored separately for each surround program.

7. Press the TEST button on the remote control again to finish the preparation.  
 The last tone stops.





On the front panel



From the remote control

**Using the Dolby Surround**

Once you have set the Dolby Surround adjustments you can use the same adjustments every time you want to enjoy Dolby Surround.

- Press the SURROUND ON/OFF button for the ON/OFF button on the remote control so that one of the surround program indicator lights up on the display.
- Press the SURROUND MODE button (or the MODE button on the remote control) repeatedly if the surround program indicator (PRO LOGIC or 3CH LOGIC) you want does not light up. Each time you press the button, the display changes to show the following:  

- Play a sound source which was processed with Dolby Surround and is labeled with  mark.



To cancel the Dolby Surround, press the SURROUND ON/OFF button (or the ON/OFF button on the remote control) again.

COMPU LINK Remote Control System

The COMPU LINK remote control system allows you to operate JVC audio components through the remote sensor on the AX-V6BK.



Remote Control through the Remote Sensor on the AX-V6BK

You can control all audio components through the remote sensor on the AX-V6BK using this remote control. For details, see page 17.

Note: Aim the remote control directly at the remote sensor on the AX-V6BK.

Automatic Source Selection

When you press the play (▶) button on a connected component or on its own remote control, the AX-V6BK automatically turns on and changes the source to the component.

Automatic Power On/Off only possible with the COMPU LINK-3 connection

Both the CD player and tape deck turn on and off with the AX-V6BK. The CD player or tape deck will turn on automatically, depending which component has been previously selected.

Synchronized Recording

Synchronized recording means the tape deck starts recording as soon as a CD or record begins playing.

- 1 Put a tape in the tape deck, and a disc in the CD player for a record on the turntable.
2 Press the record (●) button and the pause (||) button on the tape deck at the same time.

Note: If you do not press the record (●) button and pause (||) button at the same time, the synchronized recording feature will not operate.

Press the play (▶) button on the CD player or on the turntable.

The source changes on the AX-V6BK, and as soon as play starts, the tape deck starts recording.

Notes:

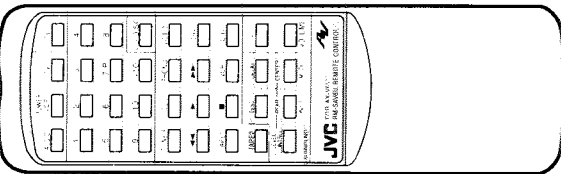
- During synchronized recording, the selected source cannot be changed.
• If your CD player is playing in program mode, a 4-second blank is recorded between tracks so that the music scan feature of your tape deck can be used on the recorded tape.

CAUTION

The COMPU LINK-3 remote control system cannot control the tape deck connected to the TAPE MONITOR jacks. Use only the tape deck connected to the TAPE1 jacks.

Using the Remote Control

You can operate JVC's audio and video components with this amplifier's remote control, since control signals for JVC components are preset in the remote control.



Note: If you choose a source on the front panel directly, the remote control will not operate that source. To operate a source with the remote control, the source must be selected using buttons on the remote control.

- 1 After pressing the TUNER button, you can perform the following operations on a tuner:
10, +10 Selects a preset channel number directly.
5, press 5, For channel number 15, press +10, then 5. For channel number 20, press +10, then 10.

After pressing the CD button, you can perform the following operations on a CD player:

- ▶ Starts playing.
▲ Returns to the beginning of the current track.
▲ Skips to the beginning of the next track.
▶ Stops playing.
10, +10 Selects a track number directly.
To select track number 5, press 5. For track number 15, press +10, then 5. For track number 20, press +10, then 10.

After pressing the TAPE1 button, you can perform the following operations on a tape deck:

- ▶ Starts playback.
▲ Fast winds a tape from right to left.
▲ Fast winds a tape from left to right.
▶ Stops operation.
After pressing the VCR button, you can perform the following operations on a VCR:
▶ Starts playback.
▲ Rewinds a video tape.
▲ Fast winds a video tape.
▶ Stops operation.
CH+/- Changes TV channels on a VCR.

Note: While you are playing the source other than VCR, such as the CD player or tape deck, you cannot operate the VCR using the remote control.

After pressing the TV button (located in the upper rightmost portion of the remote control, not the one in the POWER section), you can perform the following operations on TV:

- CH+/- Changes TV channels.
Note:
• When you press the TV buttons located at the upper rightmost portion of the remote control, you the one in the POWER section, the TV's input mode changes to TV.
• You can also turn the VCR and TAPE on and off by pressing the VCR or TAPE button in the POWER section of the remote control.

After pressing the CD-DISC button, you can perform the following operations on a CD player-changer:

- 1 6, 7, 9 Select the number of a disc installed in a CD player-changer. Then continue to operate the CD player as described above.

Note: If you have the CD player-changer, MC100C and MC100M, 1-6 buttons function as the DISC SKIP button.
• Press 2, 4, or 6 to skip to the next disc.
• Press 7, 5, or 3 to skip back to the previous disc.

Troubleshooting

English

Use this chart to help you solve daily operational problems. If there is any problem you cannot solve, contact your JVC service center.

PROBLEM	POSSIBLE CAUSE	SOLUTION
The display does not light up	The power cord not plugged in	Plug the power cord into an AC outlet
No sound from speakers	Speaker wires not connected	Check speaker wiring and reconnect if necessary
	The SPEAKERS buttons are not set correctly	Press the SPEAKERS buttons in or out correctly
	An incorrect source is selected	Select the correct source
	The TAPE2 MONITOR indicator lights up when no component is connected to the TAPE2 MONITOR jacks	Press the TAPE2 MONITOR (or TAPE2) button so that the indicator goes off
Sound from one speaker only	Speaker wires are not connected properly	Check speaker wiring and reconnect if necessary
	The BALANCE control is set to one extreme	Adjust the BALANCE control properly
Howling during record playing	Your turntable is too close to speakers	Move speakers away from the turntable
Remote control does not work	There is an obstruction in front of the remote sensor on the AX-V6BK	Remove the obstruction
	Batteries are weak	Replace batteries

Specifications

Amplifier

Amplifier	Output Power	At Stereo operation
	5.5 watts per channel, min. RMS, both channels driven into 8 ohms at 1 kHz with no more than 0.9% total harmonic distortion (IEC268-3/DIN).	
	50 watts per channel, min. RMS, both channels driven into 8 ohms at 1 kHz with no more than 0.9% total harmonic distortion (IEC268-3/DIN).	
	40 watts per channel, min. RMS, both channels driven into 8 ohms, 20 Hz to 20 kHz with no more than 0.06% total harmonic distortion.	
	50 watts per channel, min. RMS, driven into 8 ohms at 1 kHz with no more than 0.7% total harmonic distortion.	At Surround operation Front Channels
	50 watts, min. RMS, driven into 8 ohms at 1 kHz, with no more than 0.7% total harmonic distortion.	Center channel
	12.5 watts per channel, min. RMS, driven into 8 ohms at 1 kHz, with no more than 0.7% total harmonic distortion.	Rear channels
	0.06% * at 40 watts output (* Measured by JVC Audio Analysis System)	
	20 Hz to 20 kHz (±1 dB)	PHONO CD/TUNER/TAPE1/TAPE2 MONITOR, VCR, VIDEO
	70 dB/66 dB 87 dB/67 dB	PHONO CD/TUNER/TAPE1/TAPE2 MONITOR, VCR, VIDEO
	±0.5 dB (20 Hz to 20 kHz)	
	2.5 mV/47 k ohms 200 mV/47 k ohms	PHONO CD/TUNER/TAPE1/TAPE2 MONITOR, VCR, VIDEO
	200 mV	TAPE1/TAPE2 MONITOR, VCR
	+8 ±2dB, -8 ±2dB (at 100 Hz) +8 ±2dB, -8 ±2dB (at 10 kHz)	BASS TREBLE
	1 Vp-p/75 ohms	VCR, VIDEO
	1 Vp-p (at 1 Vp-p input)	VCR, MONITOR OUT
	negative	Synchronization
	45 dB	Signal-to-Noise Ratio

General

Power Requirements	AC 230V~, 50 Hz
Power Consumption	225 watts 5 watts (in standby mode)
Dimensions (W x H x D)	435 x 126 x 344 mm (17 1/8 x 5 x 13 3/8 inches)
Mass	8.3 kg (18.3 lbs)

Design & specifications are subject to change without notice

# Description of ICs

## ■ MN171202J5Y1 (IC401) : SYSTEM CONTROLLER

### 1. Terminal Layout

VDD	1	64	
KIN 0	2	63	
KIN 1	3	62	GND
KIN 2	4	61	
KIN 3	5	60	
D1	6	59	T.MUTE
D2	7	58	LOUDNESS
D3	8	57	AC P./ST.-BY LED
D4	9	56	HALL LED
D5	10	55	3CH LED
D6	11	54	PROLOGIC LED
D7	12	53	SOURCE MUTE
D8	13	52	VOL LED
S0	14	51	VOL +
S1	15	50	VOL -
S2	16	49	COMPLINK OUT
S3	17	48	COMPLINK IN
VPP	18	47	TUNED
S4	19	46	STEREO
S5	20	45	INH IN
S6	21	44	RM IN
S7	22	43	RESET
S8	23	42	DO
S9	24	41	DI
S10	25	40	CK
S11	26	39	CE
S12	27	38	DATA
S13	28	37	STB1
S14	29	36	CLK
S15	30	35	STB2
VIDEO1	31	34	TAPE2 ON/OFF
VIDEO2	32	33	SURR. ON/OFF

### 2.Key Matrix

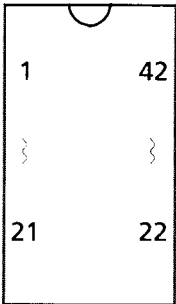
	KEY IN 0 (PIN2)	KEY IN 1 (PIN3)	KEY IN 2 (PIN4)	KEY IN 3 (PIN5)
KEY OUT 0 (PIN6)	PHONO (S401)	CD (S402)	TUNER (S403)	TAPE 1 (S404)
KEY OUT 1 (PIN7)	TAPE 2 MONITOR (S405)	VCR (S406)	VIDEO (S407)	LOUDNESS (S408)
KEY OUT 3 (PIN9)	POWER (S413)	--	--	--
KEY OUT 4 (PIN10)	SURROUND (S417)	SURROUND MODE (S418)	REAR - (S419)	REAR + (S420)
KEY OUT 5 (PIN11)	DELAY (S421)	CENTER MODE (S422)	CENTER - (S423)	CENTER + (S424)

### 3. Description

Pin No.	Symbol	I/O	Description	Pin NO.	Symbol	I/O	Description
1	VDD	--	Power supply	33	SURR. ON/OFF	O	Surround ON/OFF control
2	KIN 0	I	Key matrix input	34	TAPE2 ON/OFF	O	TAPE2 ON/OFF control
3	KIN 1	I	Key matrix input	35	STB2	O	Strobe signal for IC601 and IC641
4	KIN 2	I	Key matrix input	36	CLK	O	Clock output for IC601,641 and IC321
5	KIN 3	I	Key matrix input	37	STB1	O	Strobe signal for IC321
6	D1/KO0	O	Grid control signal (Key matrix output)	38	DATA	O	Data for IC601,641 and IC321
7	D2/KO1	O	Grid control signal (Key matrix output)	39	CE	--	Pull down
8	D3	O	Grid control signal	40	CK	--	Pull down
9	D4/KO3	O	Grid control signal (Key matrix output)	41	DI	--	Pull down
10	D5/KO4	O	Grid control signal (Key matrix output)	42	DO	--	Pull down
11	D6/KO5	O	Grid control signal (Key matrix output)	43	RESET	I	Reset signal input
12	D7	O	Grid control signal	44	RM IN	I	Remote control signal input
13	D8	O	Grid control signal	45	INH IN	I	Inhibit signal input
14	S0	O	Segment control signal	46	STEREO	--	Pull down
15	S1	O	Segment control signal	47	TUNED	--	Pull down
16	S2	O	Segment control signal	48	COMPLINK IN	I	Compulink signal input
17	S3	O	Segment control signal	49	COMPLINK OUT	O	Compulink signal output
18	VPP	--	Power supply for FL display	50	VOL -	O	Volume control signal
19	S4	O	Segment control signal	51	VOL +	O	Volume control signal
20	S5	O	Segment control signal	52	VOL LED	O	Volume indication control
21	S6	O	Segment control signal	53	SOURCE MUTE	O	Source muting
22	S7	O	Segment control signal	54	PROLOGIC LED	O	PROLOGIC indication control
23	S8	O	Segment control signal	55	3CH LED	O	3CH indication control
24	S9	O	Segment control signal	56	HALL LED	O	HALL indication control
25	S10	O	Segment control signal	57	AC P./ST.-BY LED	O	STAND-BY indication control
26	S11	O	Segment control signal	58	LOUDNESS	O	Loudness ON/OFF control
27	S12	O	Segment control signal	59	T.MUTE	O	Tuner muting control signal
28	S13	O	Segment control signal	60	--	--	Connected to GND
29	S14	O	Segment control signal	61	--	--	Non connection
30	S15	O	Segment control signal	62	GND	--	GND
31	VIDEO1	O	Video control signal (To IC661)	63	OSC1	--	Oscillation terminal
32	VIDEO2	O	Video control signal (To IC661)	64	OSC2	--	Oscillation terminal

■ LA2785 (IC601) : Dolby Pro Logic Surround Signal Processor

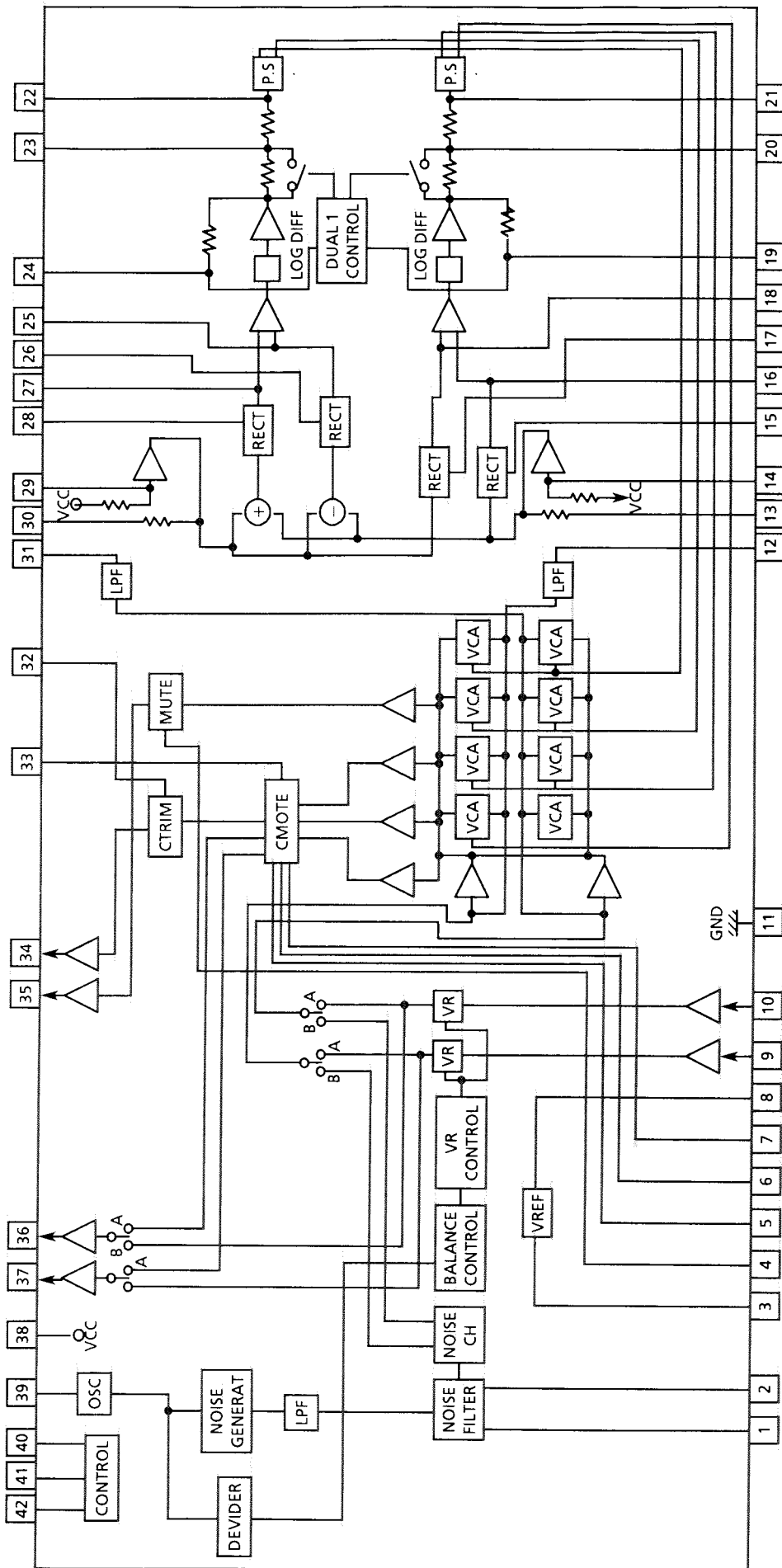
1. Terminal Layout



2. Pin Functions

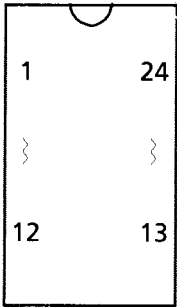
Pin No	Symbol	I/O	Functions	Pin No	Symbol	I/O	Functions
1	NS-BPF1	--	Capacitor for spectrum filter in noise sequencer	22	VCS-1	--	Capacitor for time constant (in log differential area)
2	NS-BPF2	--	Capacitor for spectrum filter in noise sequencer	23	VCS-2	--	Capacitor for time constant (in log differential area)
3	VREF	--	Analog reference voltage	24	VCS-TH	--	Capacitor for time constant (in log differential area)
4	S-DC-OUT	--	Capacitor for DC-cut Sch	25	L+R RECT	--	Capacitor for Center channel detection
5	C-DC-OUT	--	Capacitor for DC-cut Cch	26	DC-CUT	--	Capacitor for DC-cut at detection circuit
6	L-DC-OUT	--	Capacitor for DC-cut Lch	27	L-R RECT	--	Capacitor for Surround channel detection
7	R-DC-OUT	--	Capacitor for DC-cut Rch	28	DC-CUT	--	Capacitor for DC-cut at detection circuit
8	VREF-BUFFER	--	VREF low impedance	29	R-BPF3	--	LPF,HPF for Right channel control circuit
9	L-IN	I	Left channel signal input	30	R-BPF2	--	LPF,HPF for Right channel control circuit
10	R-IN	I	Right channel signal input	31	R-BPF1	--	LPF,HPF for Right channel control circuit
11	GND	--	Ground	32	C-TRIM DC-CUT	--	Capacitor for DC-cut Center channel
12	L-BPF1	--	LPF,HPF for Lch control circuit	33	C-MODE- CAP	--	Capacitor for Center channel output low-pass filter
13	L-BPF2	--	LPF,HPF Left channel control circuit	34	C-OUT	O	Center signal output
14	L-BPF3	--	LPF,HPF Left channel control circuit	35	S-OUT	O	Surround signal output
15	DC-CUT	--	Capacitor for DC-cut at detection circuit	36	R-OUT	O	Right channel signal output
16	R RECT	--	Capacitor for Right channel detection	37	L-OUT	O	Left channel signal output
17	DC-CUT	--	Capacitor for DC-cut at detection circuit	38	VCC	--	power supply
18	L RECT	--	Capacitor for Left channel detection	39	OSC	--	Oscillation for noise sequencer and auto balance
19	VLR-TH	--	Capacitor for time constant (in log differential area)	40	STB	I	Strobe signal input
20	VLR-2	--	Capacitor for time constant (in log differential area)	41	DATA	I	Serial interface data input
21	VLR-1	--	Capacitor for time constant (in log differential area)	42	CLK	I	Serial interface clock

3. Block Diagram

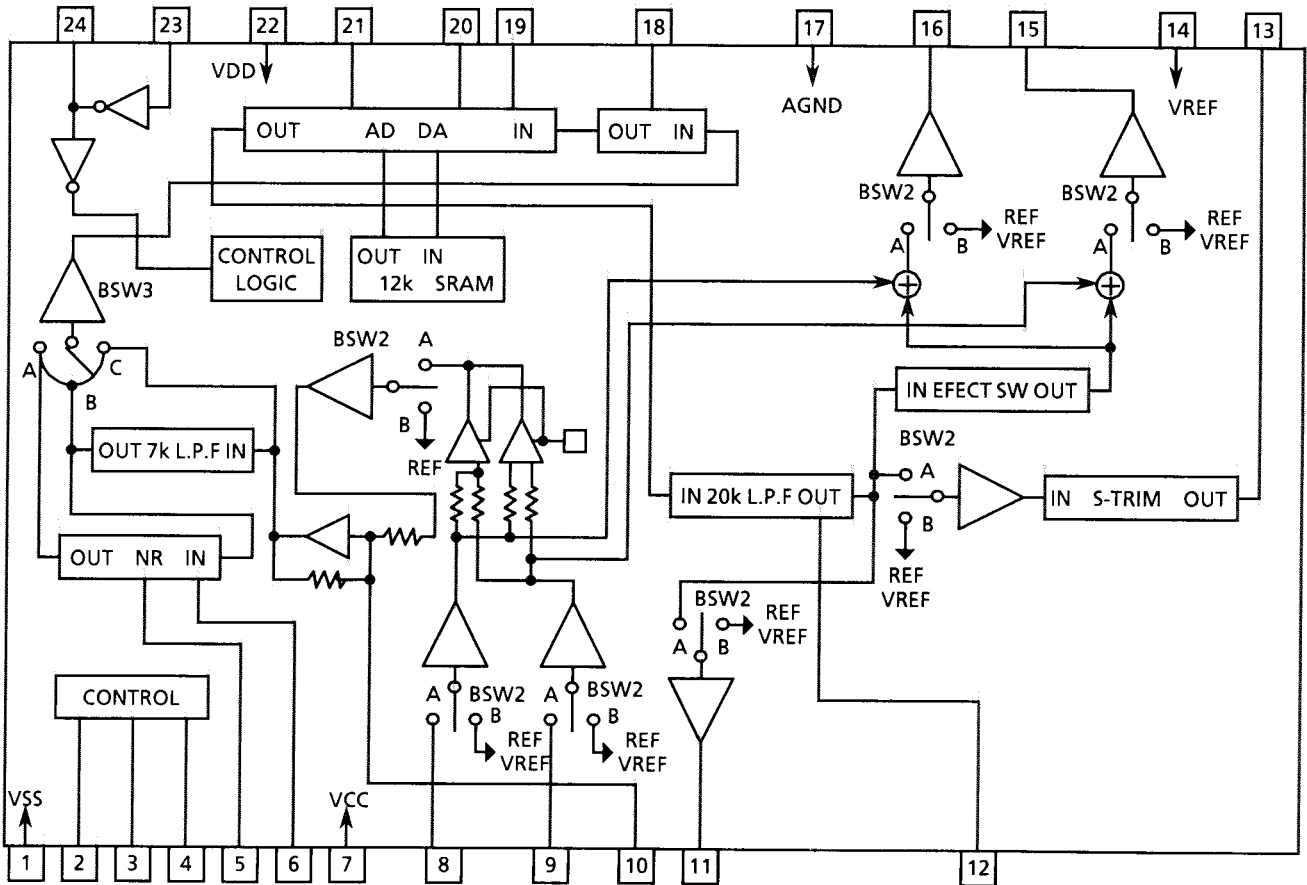


■ LV1011 (IC641) : Dolby Surround Passive Decoder

1. Terminal Layout



2. Block Diagram

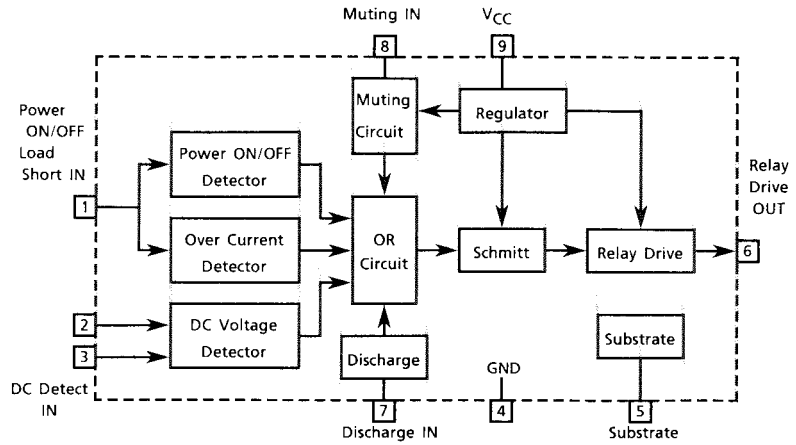
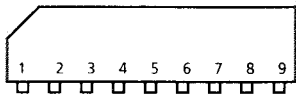




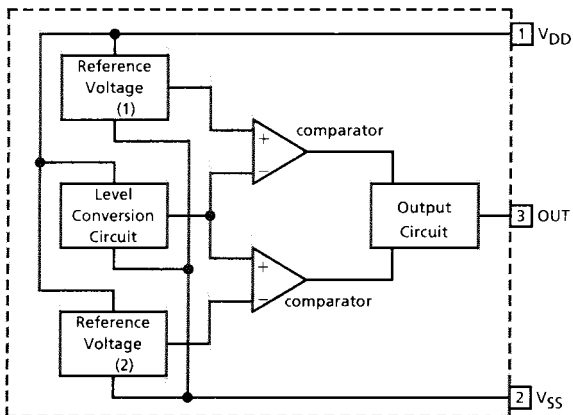
## 3. Pin Functions

Pin No.	Symbol	I/O	Functions
1	VCC	--	Digital GND
2	CLK	I	Serial interface clock
3	DATA	I	Serial interface data input
4	STB	I	Strobe signal input
5	NR-DET	--	Capacitor for noise reduction detect
6	NR-IREF	--	Resistor for noise reduction reference current
7	VCC	--	Supply
8	L-IN	I	Left channel signal input
9	R-IN	I	Right channel signal input
10	S-IN	I	Surround signal input
11	DELAY-OUT	--	Not used
12	DC-CUT	--	Capacitor for DC-cut
13	S-OUT	O	Surround signal output
14	VREF	--	Analog reference voltage
15	R-MIX-OUT	--	Not used
16	L-MIX-OUT	--	Not used
17	AGND	--	Analog ground
18	DC-CUT	--	Capacitor for DC-cut
19	D/A	--	Capacitor for integrator
20	NOISE SHAPER	--	Capacitor for noise shaper
21	A/D	--	Capacitor for integrator
22	VDD	--	Supply for the digital section
23	OSC	--	Oscillation terminal
24	OSC	--	Oscillation terminal

■ TA7317P (IC901) : Protector

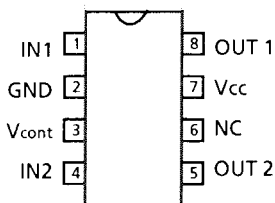


■ MN1281(P.Q) (IC403) : Reset IC



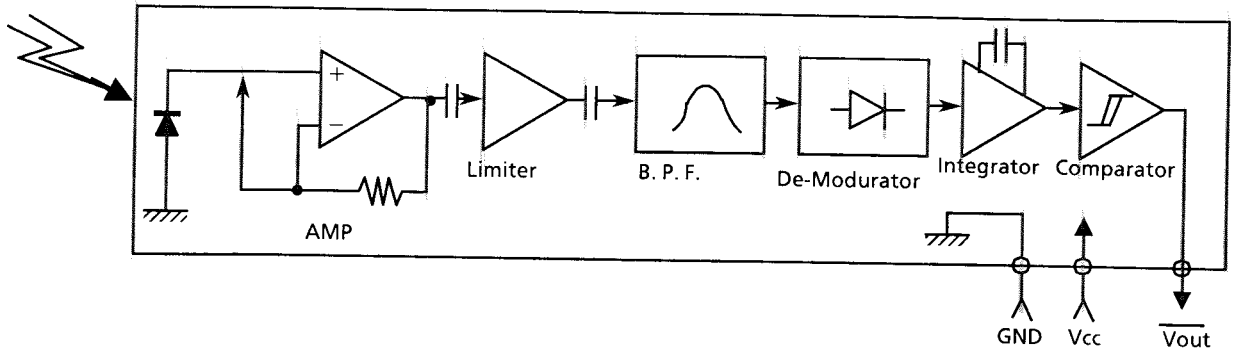
Pin No.	Pin Name	Functions
1	V <sub>DD</sub>	Power supply
2	V <sub>SS</sub>	Ground
3	OUT	Reset signal output : Low level is output when resetting : High level is output when cancelling the reset.

■ LB1639-CV (IC511) : Motor Driver

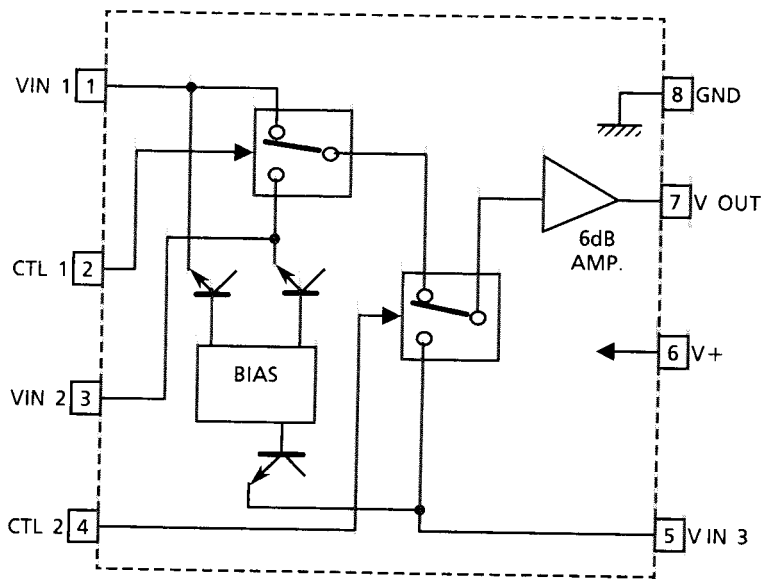


IN 1	IN 2	OUT 1	OUT 2	MOTOR
H	L	H	L	CLOCKWISE
L	H	L	H	COUNTER-CLOCKWISE
H	H	OFF	OFF	WAITING
L	L	OFF	OFF	WAITING

■ SPS-420-1 (IC402) : Remote Control Module IC



■ NJM2246D (IC661) : Video Switch

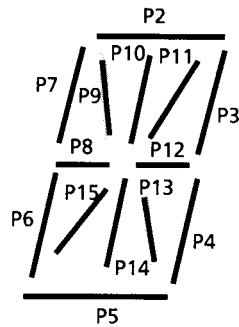
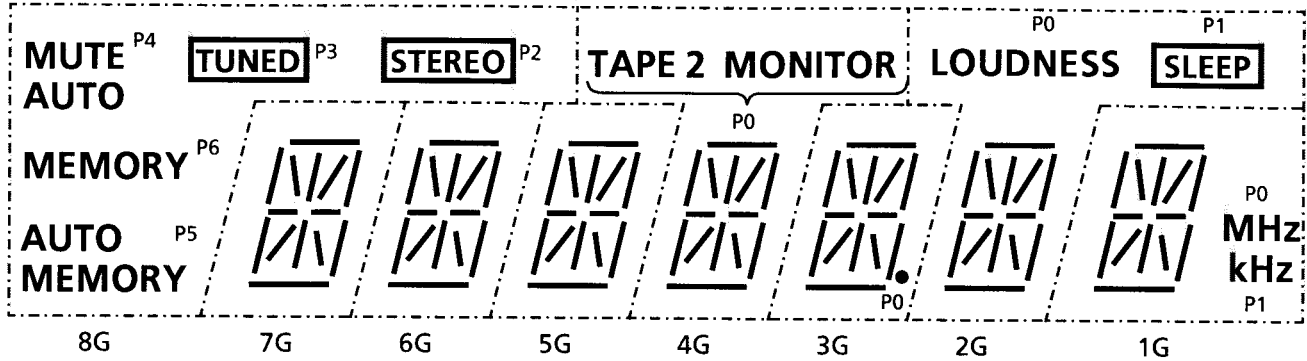


Control Signal—OutputSignal

CTL 1	CTL 2	Output
L	L	VIN 1
H	L	VIN 2
L/H	H	VIN 3

# Internal Connections of the FL Display

■ ELU0001-144 : FL401



## Pin Connection

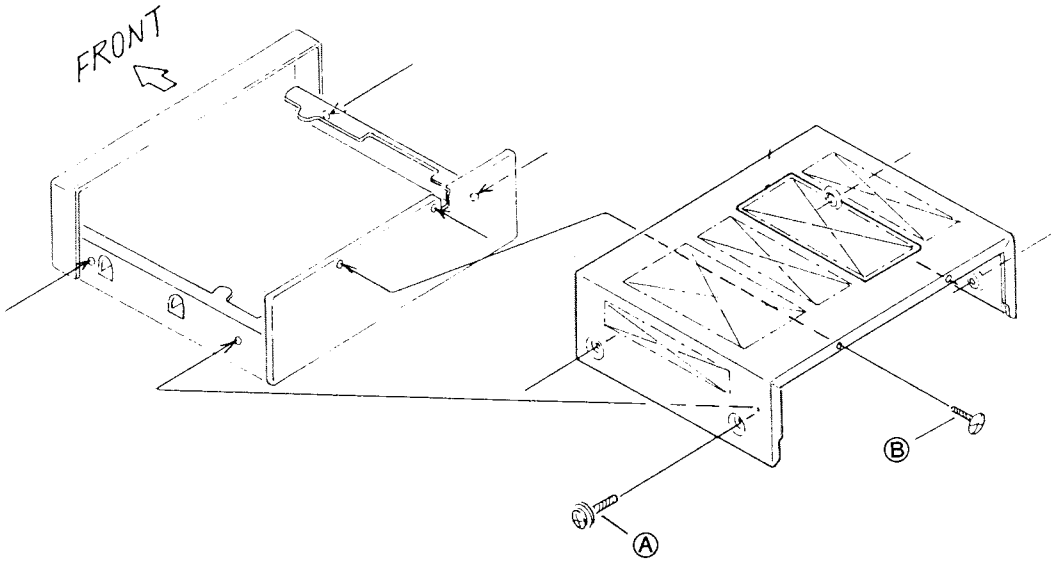
PIN NUMBER	1	2	3	4	5	6	7	8	9	10	11	12	13	14	15	16	17	18		
ELECTRODE	F1	F1	F1	NP	NP	NP	NP	NP	P15	P14	P13	P12	P11	P10	P9	P8	P7	P6		
PIN NUMBER			19	20	21	22	23	24	25	26	27	28	29	30	31	32	33	34	35	36
ELECTRODE			P5	P4	P3	P2	P1	P0	8G	7G	6G	5G	4G	3G	2G	1G	NP	F2	F2	F2

Note F : Filament, G : Grid, P : Element, NP : No Pin, NC : No Connection

# Disassembly Procedures

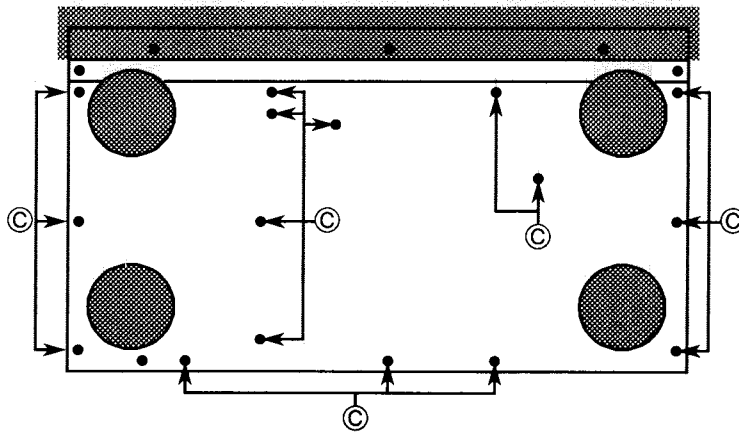
**(1) Removing the top cover**

1. Remove 4 screws **(A)** fastening both sides of top cover, and 2 screws **(B)** fastening the rear side.
2. Remove the top cover.



**(2) Removing the Bottom Cover**

1. Remove 16 screws **(C)**.
2. Remove the bottom cover.



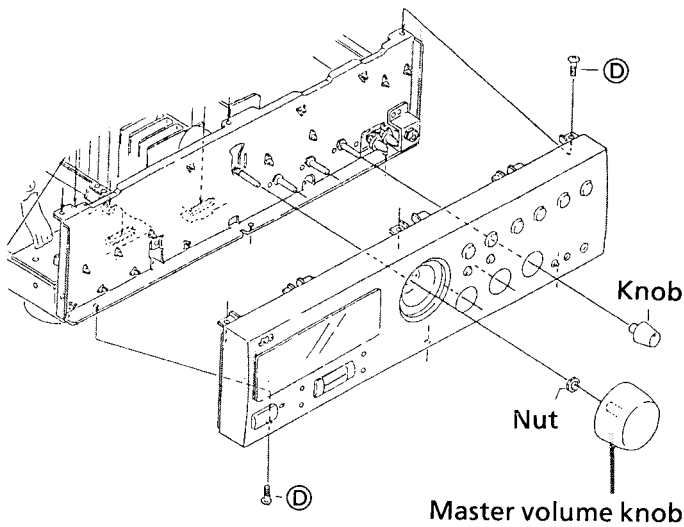
**(A)** .. E61660-004

**(B)** ... E73273-003

**(C)** ... SBSG3008CC

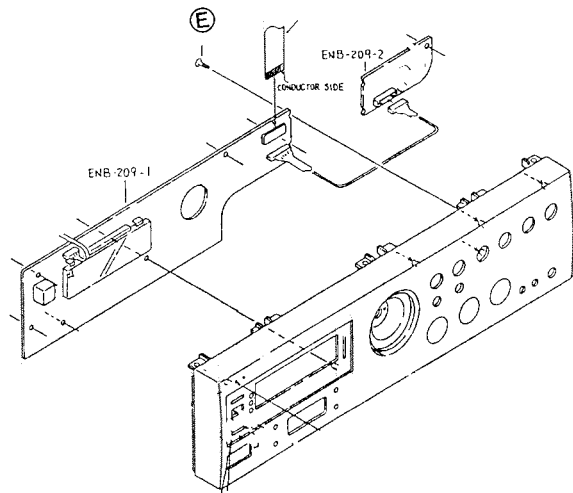
**(3) Removing the Front Panel Assembly**

1. Remove 3 screws ① fastening top of the front panel, and 3 screws ② fastening bottom of it.
2. Remove the Master volume knob, Treble knob, Bass knob and Balance knob.
3. Remove the nut fastening the Master volume.
4. Remove the front panel disconnecting some wires. (CN881, CN442)



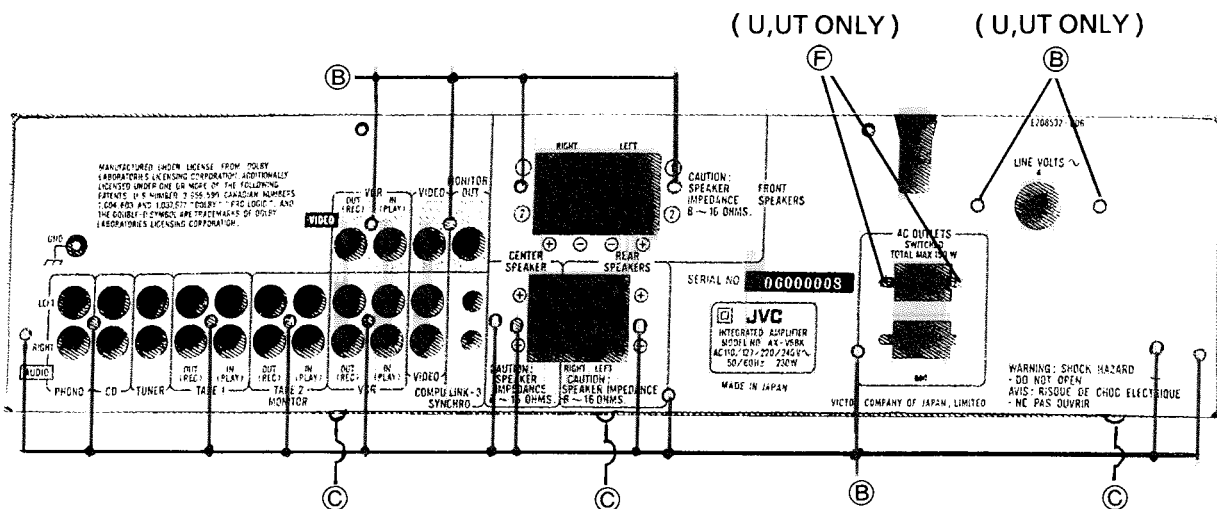
**(4) Removing the Front P.C. Board**

1. Removing the front panel assembly.
2. Remove 8 screws ③.
3. Remove the front P.C. Board.



**(5) Removing the Rear Panel**

1. Remove 23 screws ④ and ⑤.
2. Remove 3 screws ⑥ fastening bottom sides of rear panel.
3. Take it out.



④ E73273-003

⑤ SBSG3008CC

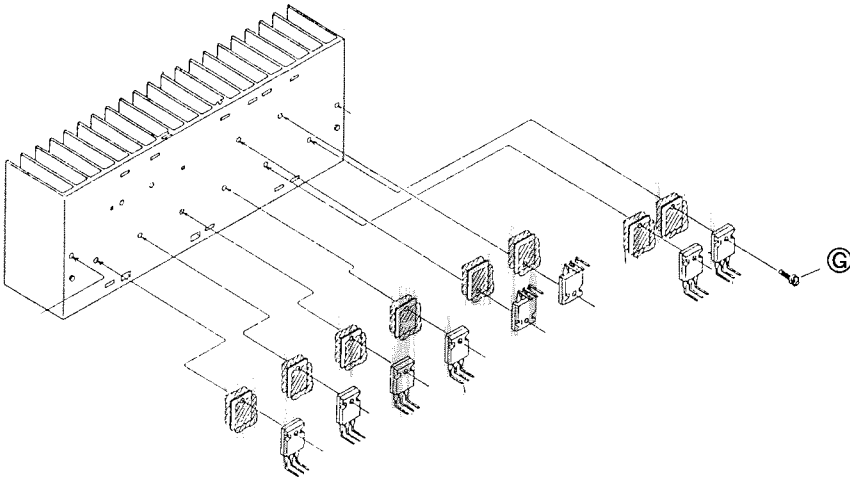
② SDSG3008M

③ SDSF2608Z

⑥ SDSG3008CC

**(6) Removing the Power Transistor**

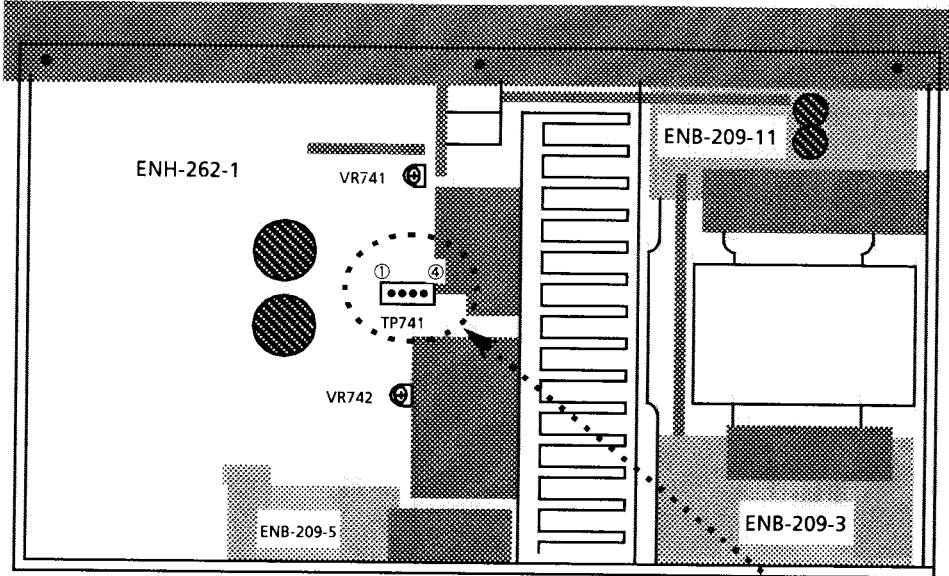
1. Remove the top cover and bottom cover.
2. Unsolder the broken transistor.
3. Remove the some screws ④ fastening it.
4. Remove it.



© .. E73525-003

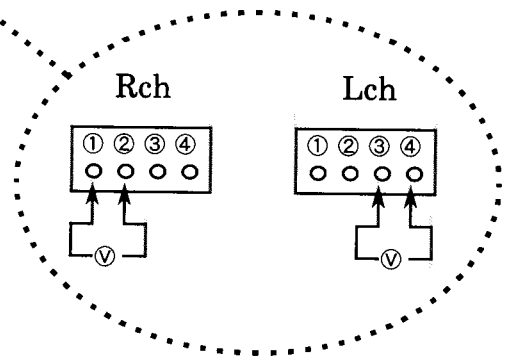
# ADJUSTMENT PROCEDURES

## ■ Power Amplifier section



## ■ Idling current

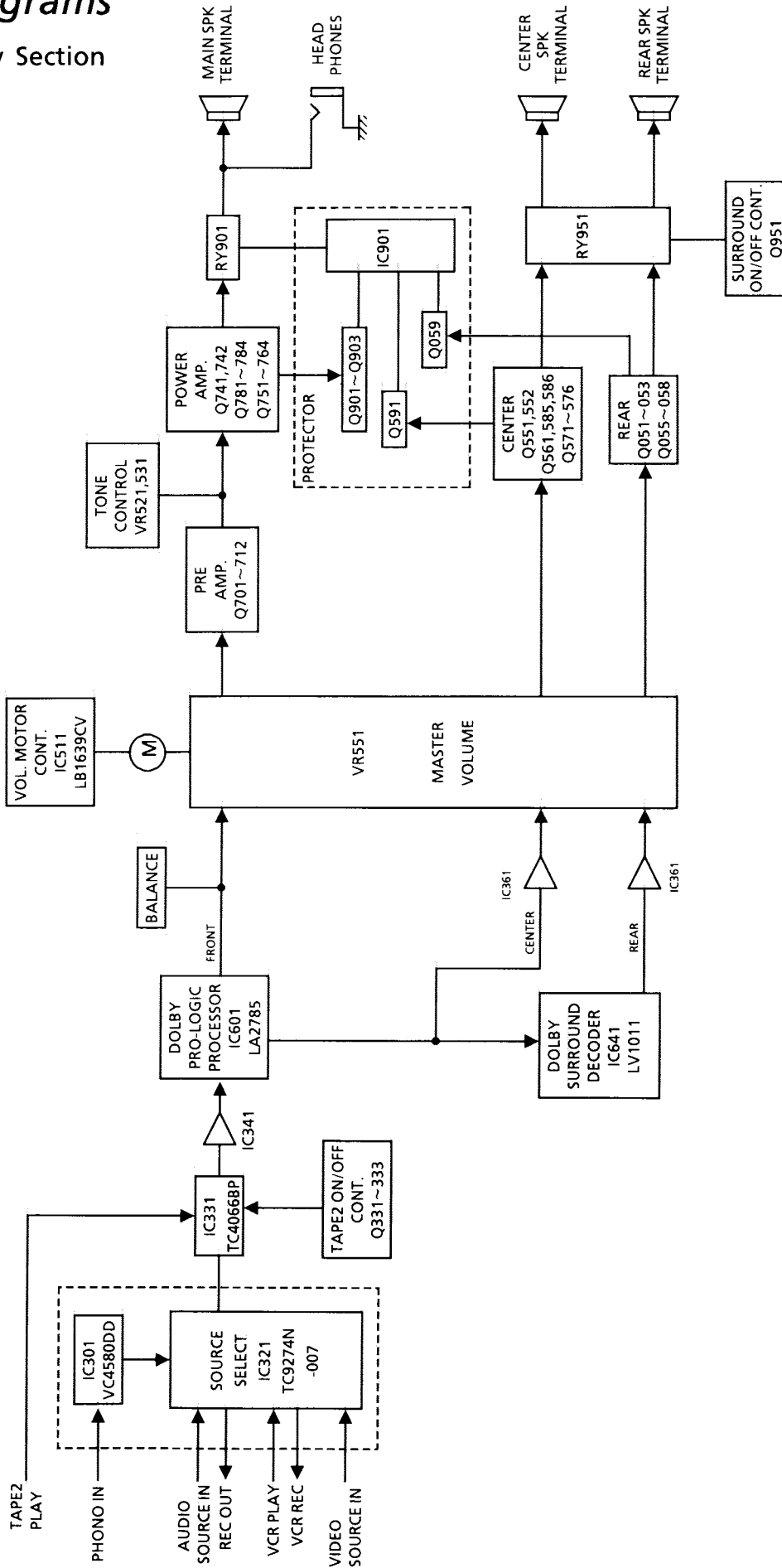
- (1) Set the volume control to minimum during this adjustment.
- (2) Turn VR741 and VR742 fully counterclockwise to warm up before adjustment.  
If the heatsink is already warm from previous use the correct adjustment can not be made.
- (3) For L-ch, connect a DC voltmeter between TP741's pin1 and pin2.  
And, connect it between pin3 and pin4 for R-ch.
- (4) Approx. 30minutes later after power on, adjust VR741 for L-ch, or VR742 for R-ch so that the DC voltmeter's value has 1mV~10mV.



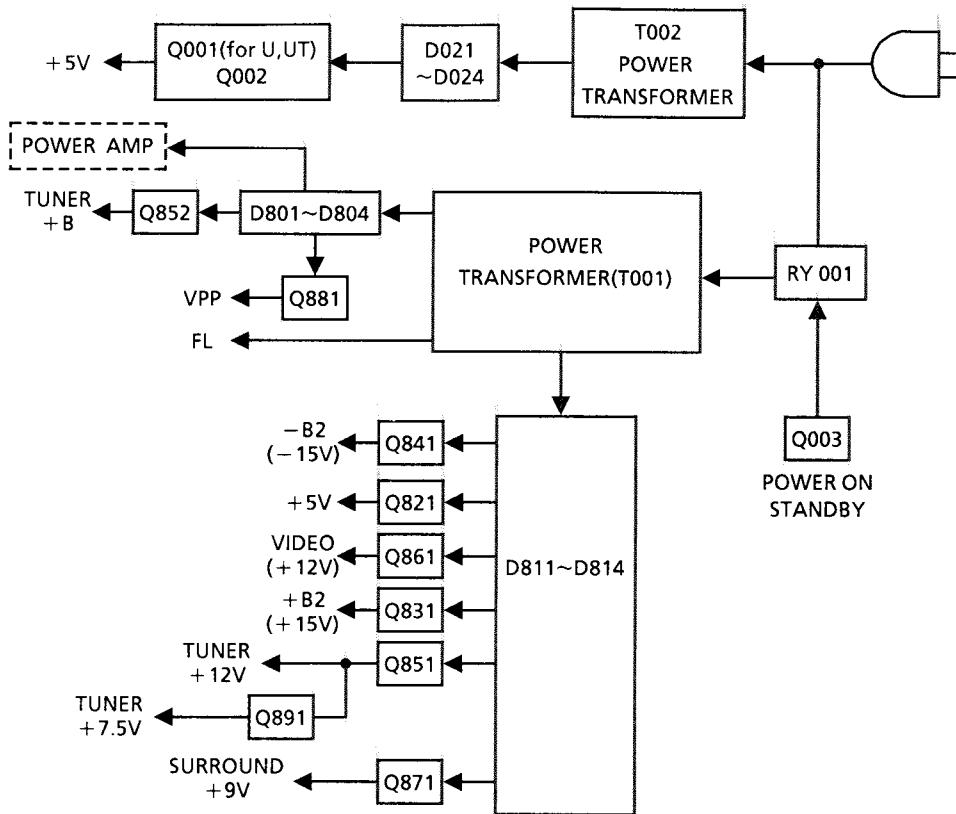


# Block Diagrams

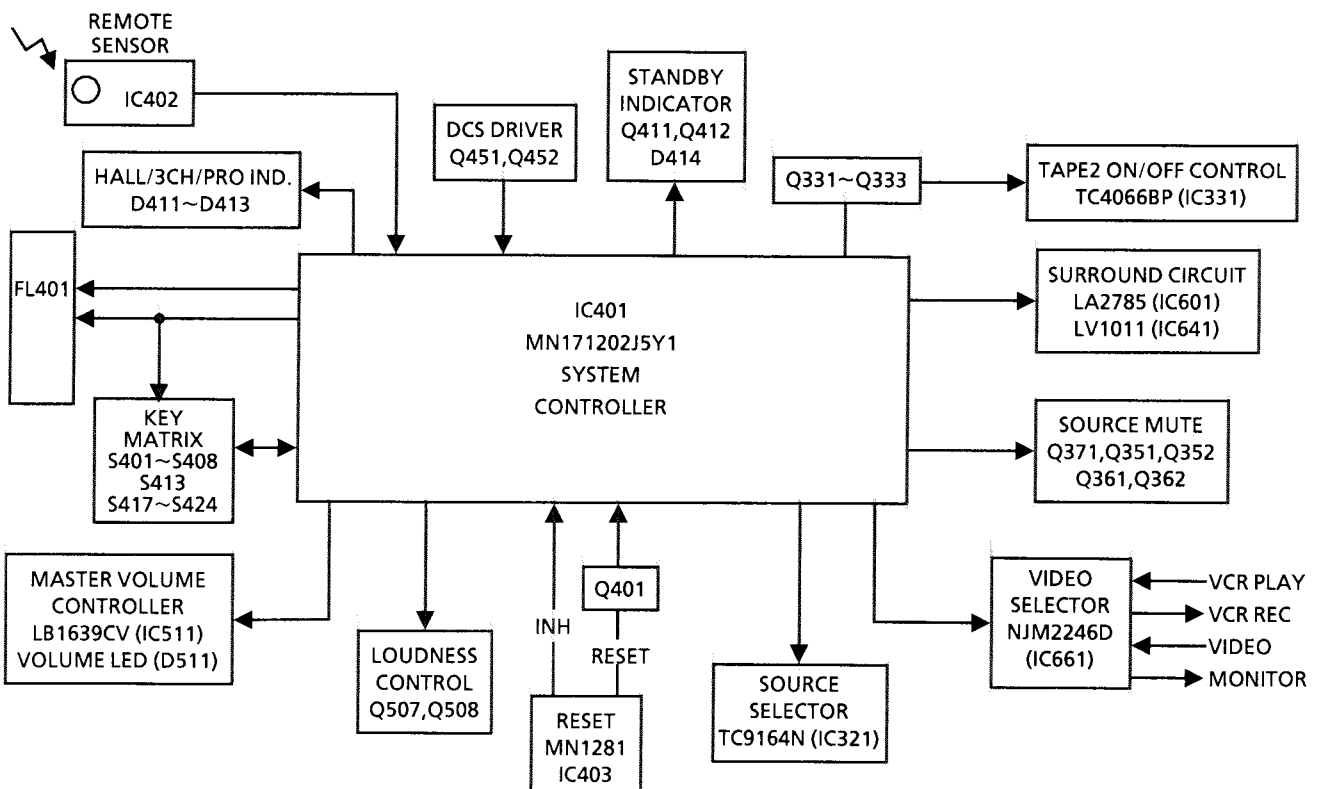
## ■ Signal Flow Section



### Power Supply Section

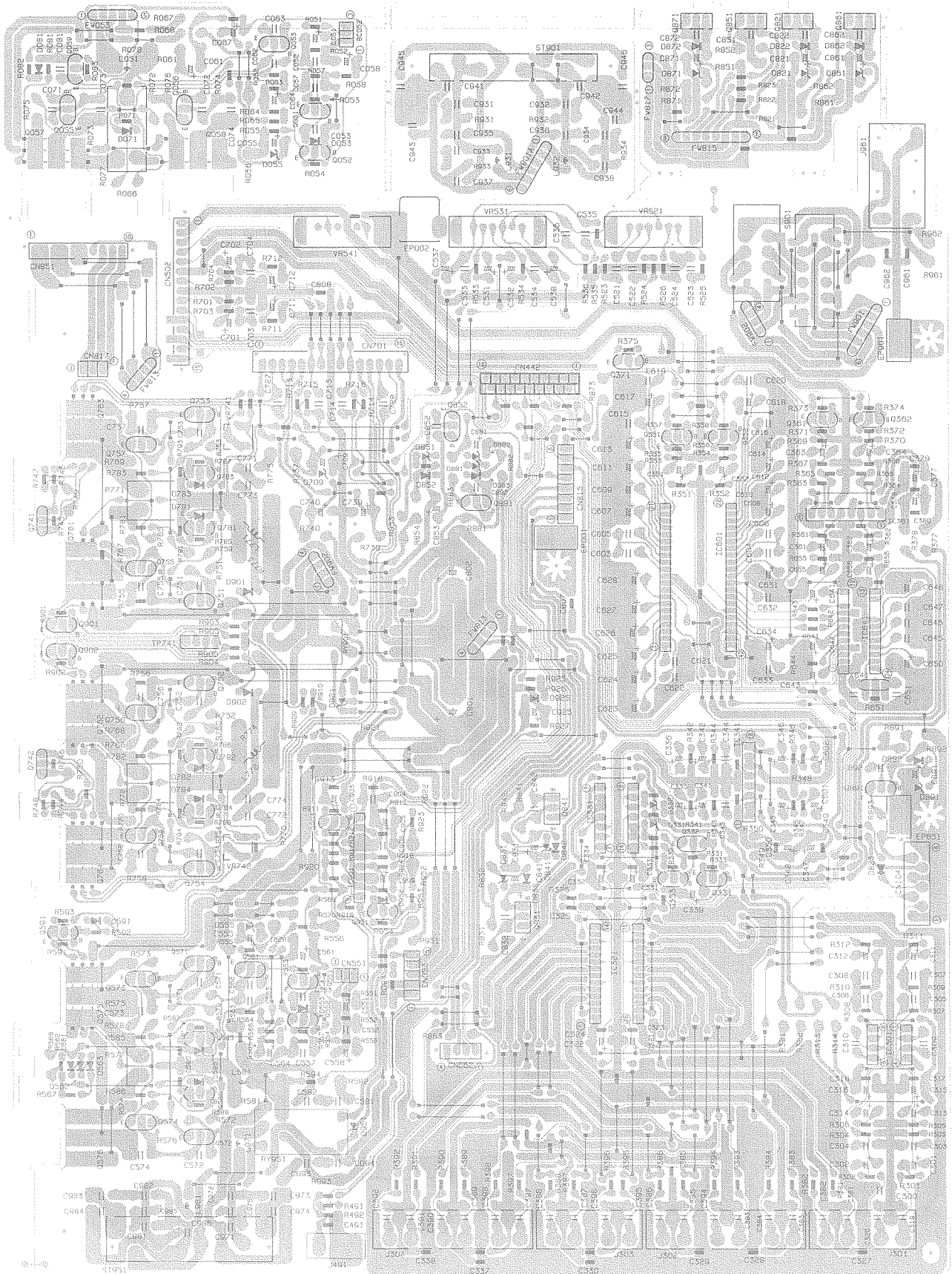


### Control Section

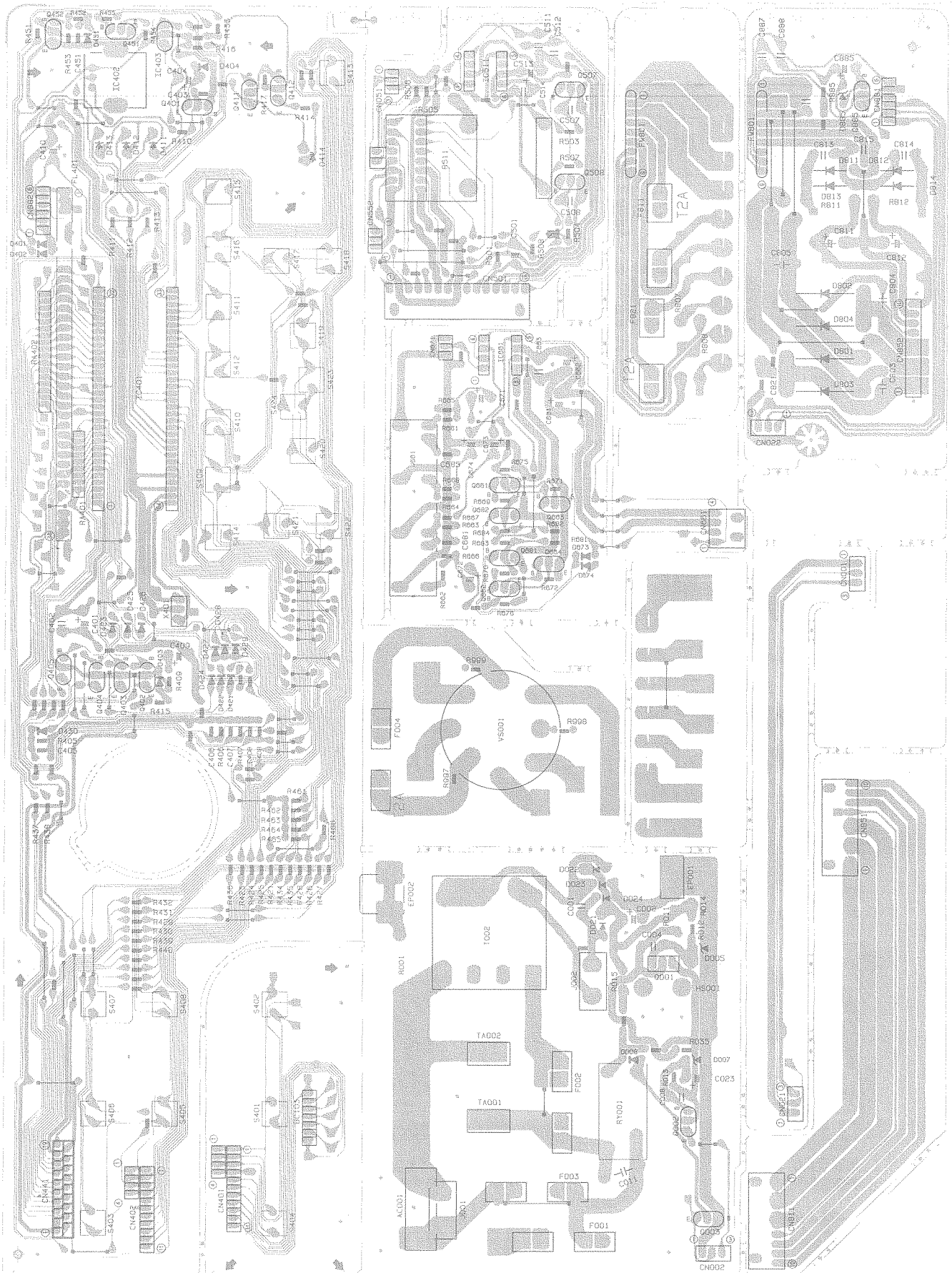


# Printed Circuit Boards

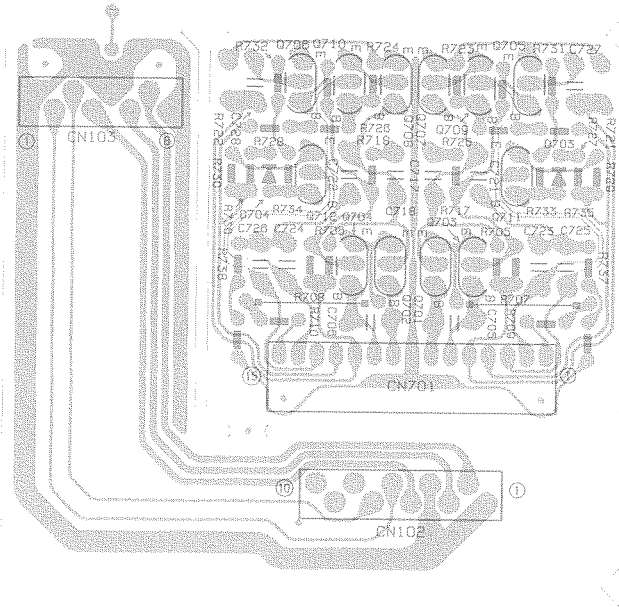
## ■ Input Selector Power Amplifier P.C.Board (ENH-262)



■ Power Supply & System Control P.C.Board (ENB-209)



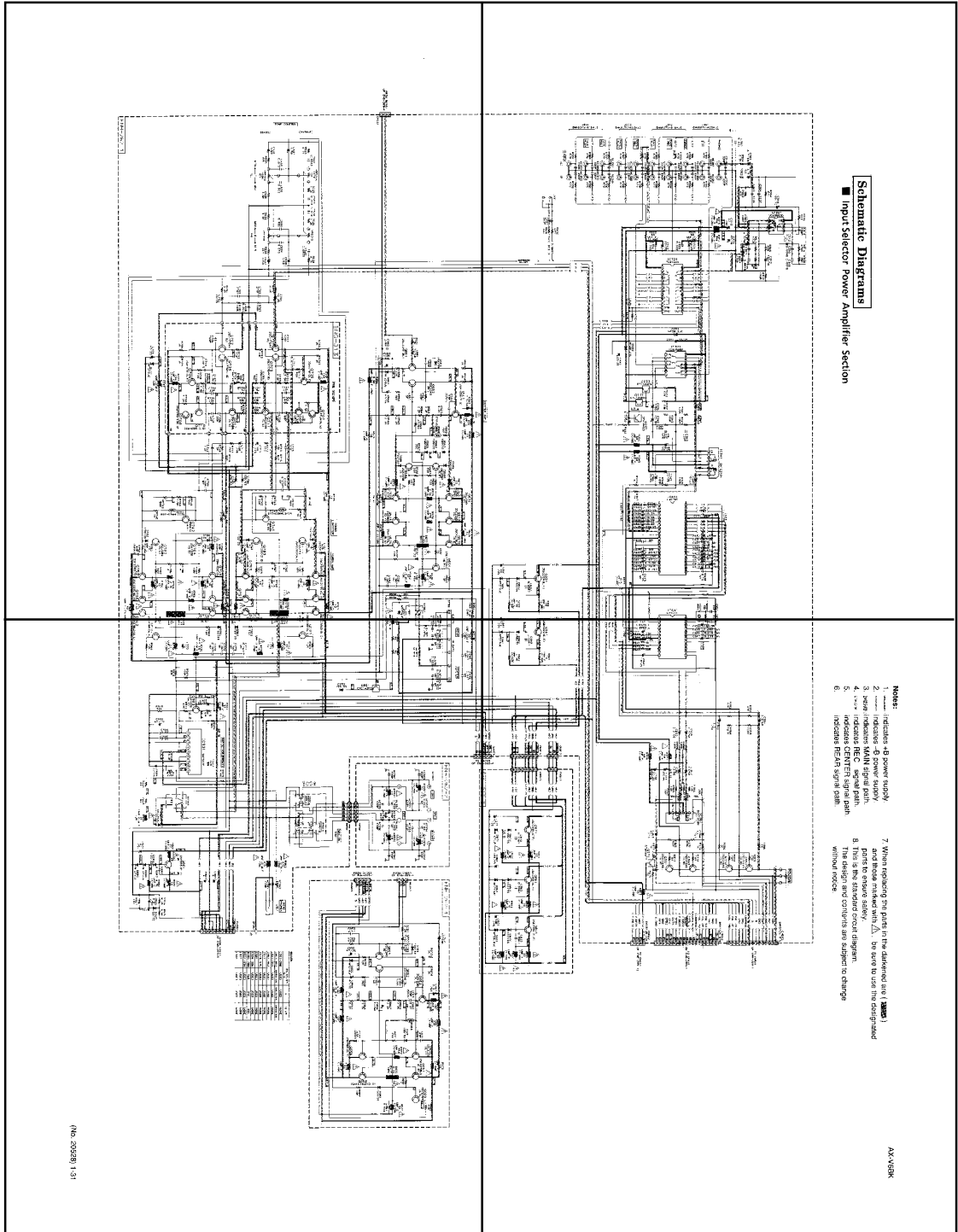
■ Pre-Driver P.C.Board (ENG-013)



**—MEMO—**

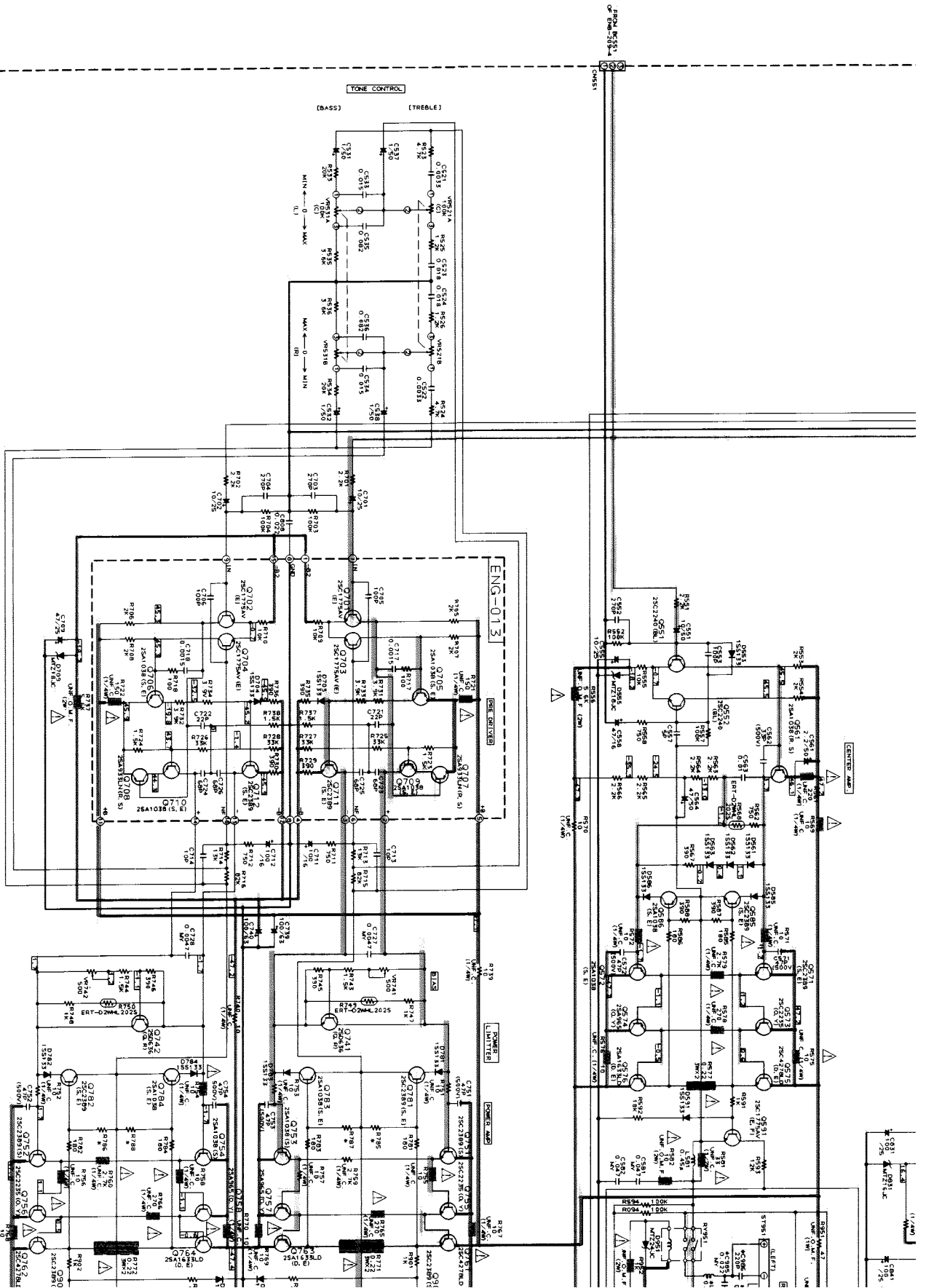
P1-31-a

P1-31-b



P1-31-c

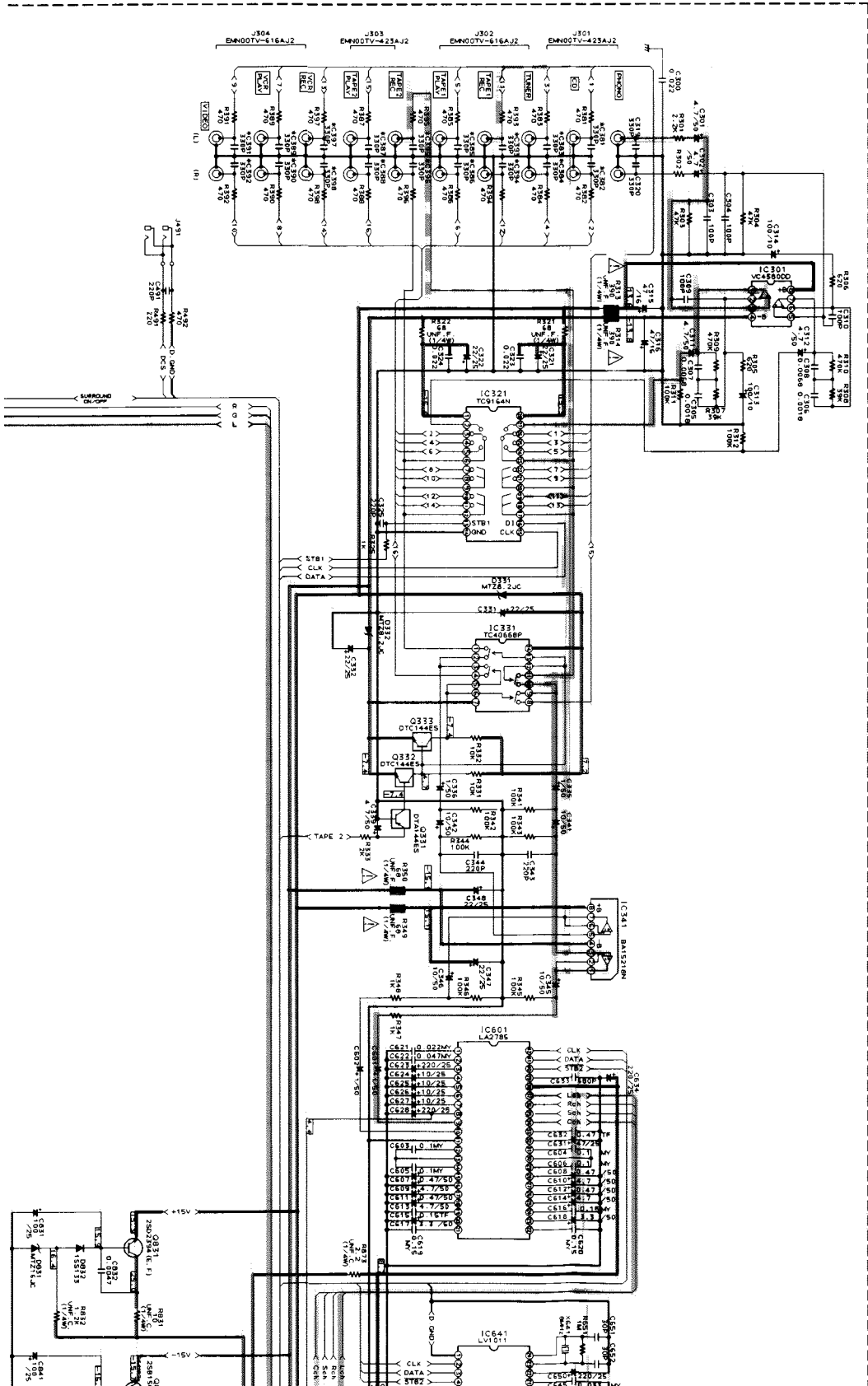
P1-31-d

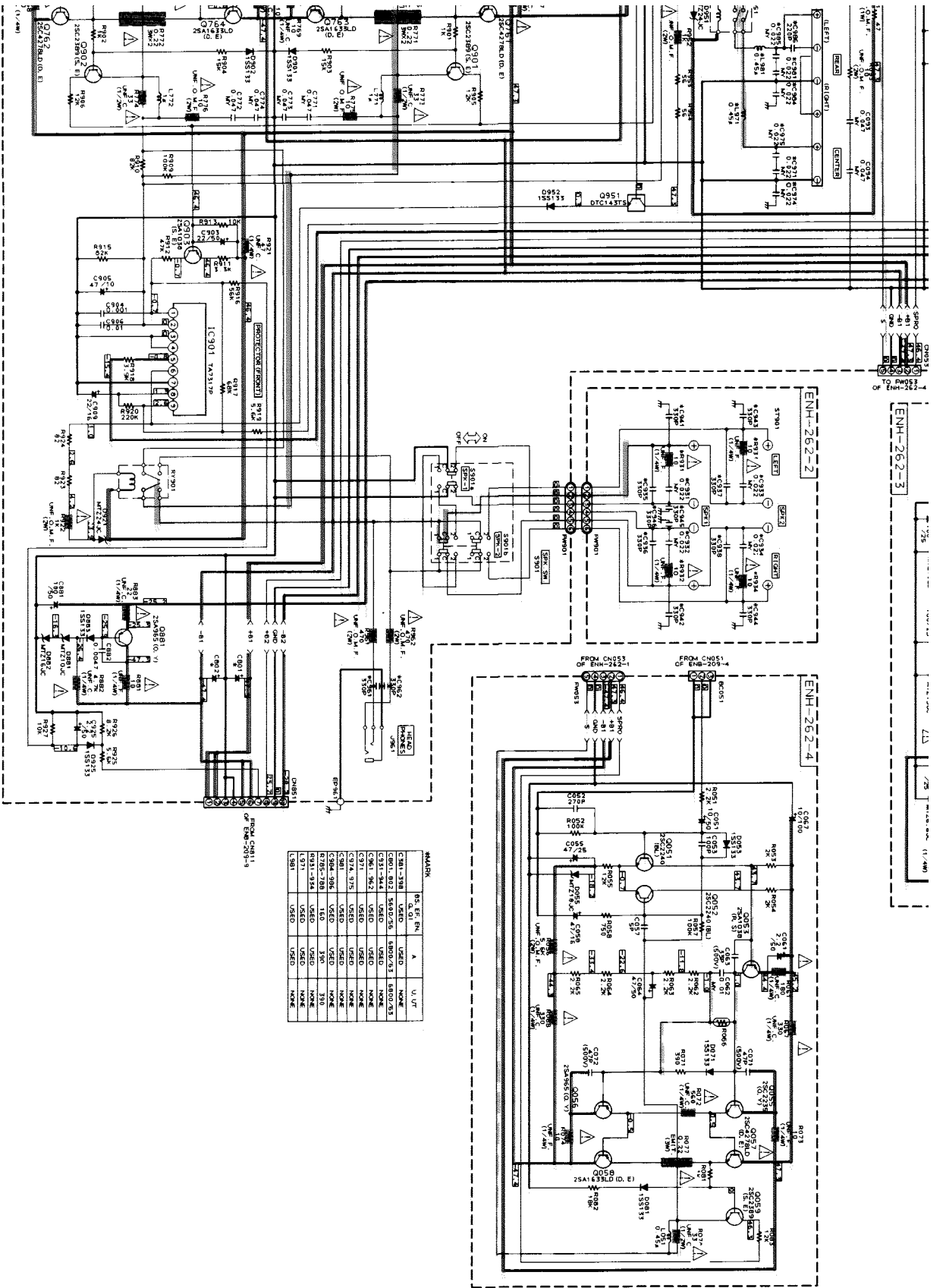




# Schematic Diagrams

## Input Selector Power Amplifier Section



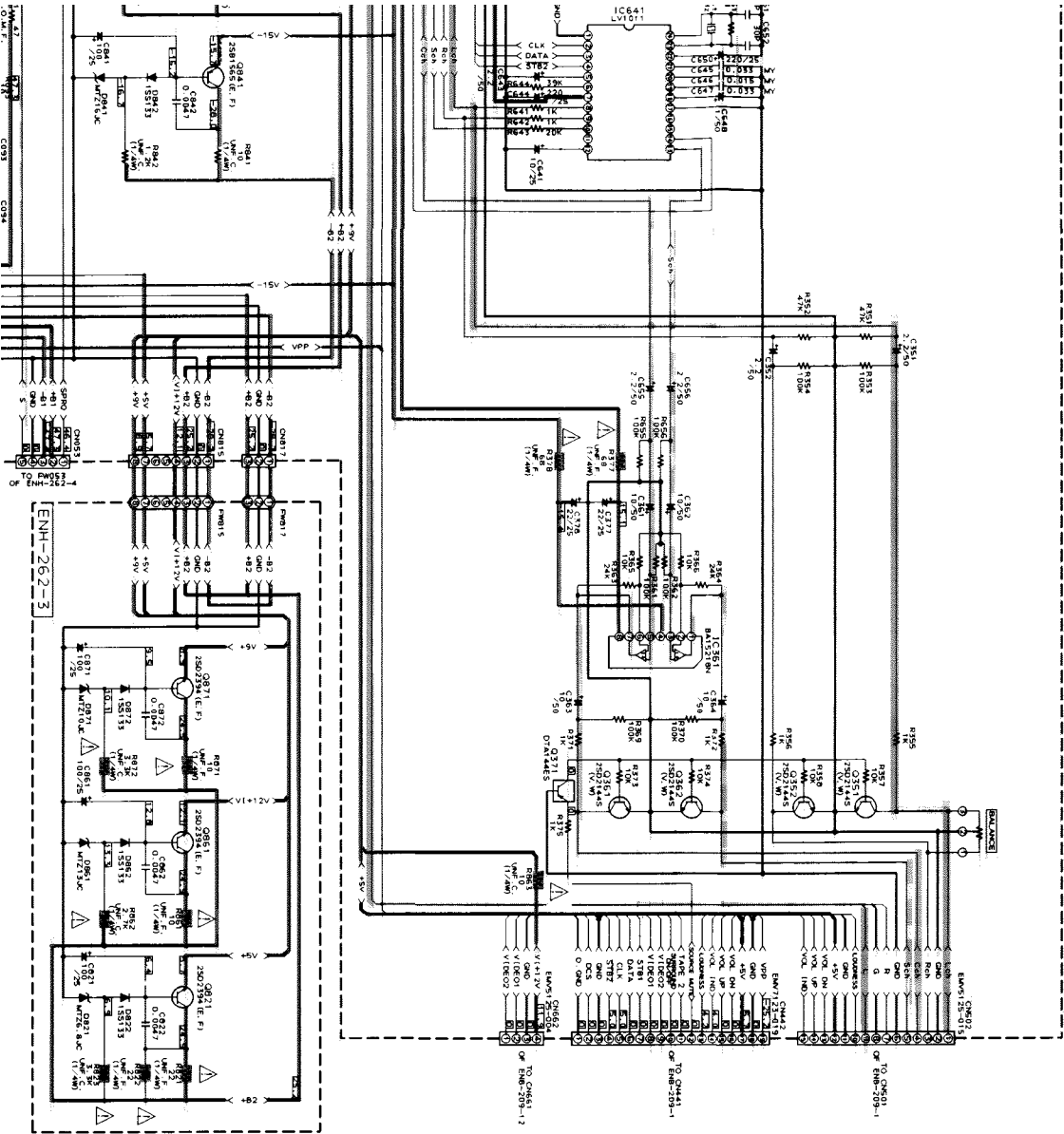


MATERIAL

QTY	REF. PN	U	UT
1	C801-3798	USED	NONE
1	C801-3812	USED	800/0.5
1	C801-3821	USED	NONE
1	C911-5621	USED	NONE
1	C911-575	USED	NONE
1	C801-3828	USED	NONE
1	C801-3829	USED	NONE
1	C801-3830	USED	NONE
1	C801-3831	USED	NONE
1	C801-3832	USED	NONE
1	C801-3833	USED	NONE
1	C801-3834	USED	NONE
1	C801-3835	USED	NONE
1	C801-3836	USED	NONE
1	C801-3837	USED	NONE
1	C801-3838	USED	NONE
1	C801-3839	USED	NONE
1	C801-3840	USED	NONE
1	C801-3841	USED	NONE
1	C801-3842	USED	NONE
1	C801-3843	USED	NONE
1	C801-3844	USED	NONE
1	C801-3845	USED	NONE
1	C801-3846	USED	NONE
1	C801-3847	USED	NONE
1	C801-3848	USED	NONE
1	C801-3849	USED	NONE
1	C801-3850	USED	NONE
1	C801-3851	USED	NONE
1	C801-3852	USED	NONE
1	C801-3853	USED	NONE
1	C801-3854	USED	NONE
1	C801-3855	USED	NONE
1	C801-3856	USED	NONE
1	C801-3857	USED	NONE
1	C801-3858	USED	NONE
1	C801-3859	USED	NONE
1	C801-3860	USED	NONE
1	C801-3861	USED	NONE
1	C801-3862	USED	NONE
1	C801-3863	USED	NONE
1	C801-3864	USED	NONE
1	C801-3865	USED	NONE
1	C801-3866	USED	NONE
1	C801-3867	USED	NONE
1	C801-3868	USED	NONE
1	C801-3869	USED	NONE
1	C801-3870	USED	NONE
1	C801-3871	USED	NONE
1	C801-3872	USED	NONE
1	C801-3873	USED	NONE
1	C801-3874	USED	NONE
1	C801-3875	USED	NONE
1	C801-3876	USED	NONE
1	C801-3877	USED	NONE
1	C801-3878	USED	NONE
1	C801-3879	USED	NONE
1	C801-3880	USED	NONE
1	C801-3881	USED	NONE
1	C801-3882	USED	NONE
1	C801-3883	USED	NONE
1	C801-3884	USED	NONE
1	C801-3885	USED	NONE
1	C801-3886	USED	NONE
1	C801-3887	USED	NONE
1	C801-3888	USED	NONE
1	C801-3889	USED	NONE
1	C801-3890	USED	NONE
1	C801-3891	USED	NONE
1	C801-3892	USED	NONE
1	C801-3893	USED	NONE
1	C801-3894	USED	NONE
1	C801-3895	USED	NONE
1	C801-3896	USED	NONE
1	C801-3897	USED	NONE
1	C801-3898	USED	NONE
1	C801-3899	USED	NONE
1	C801-3900	USED	NONE

**Notes:**

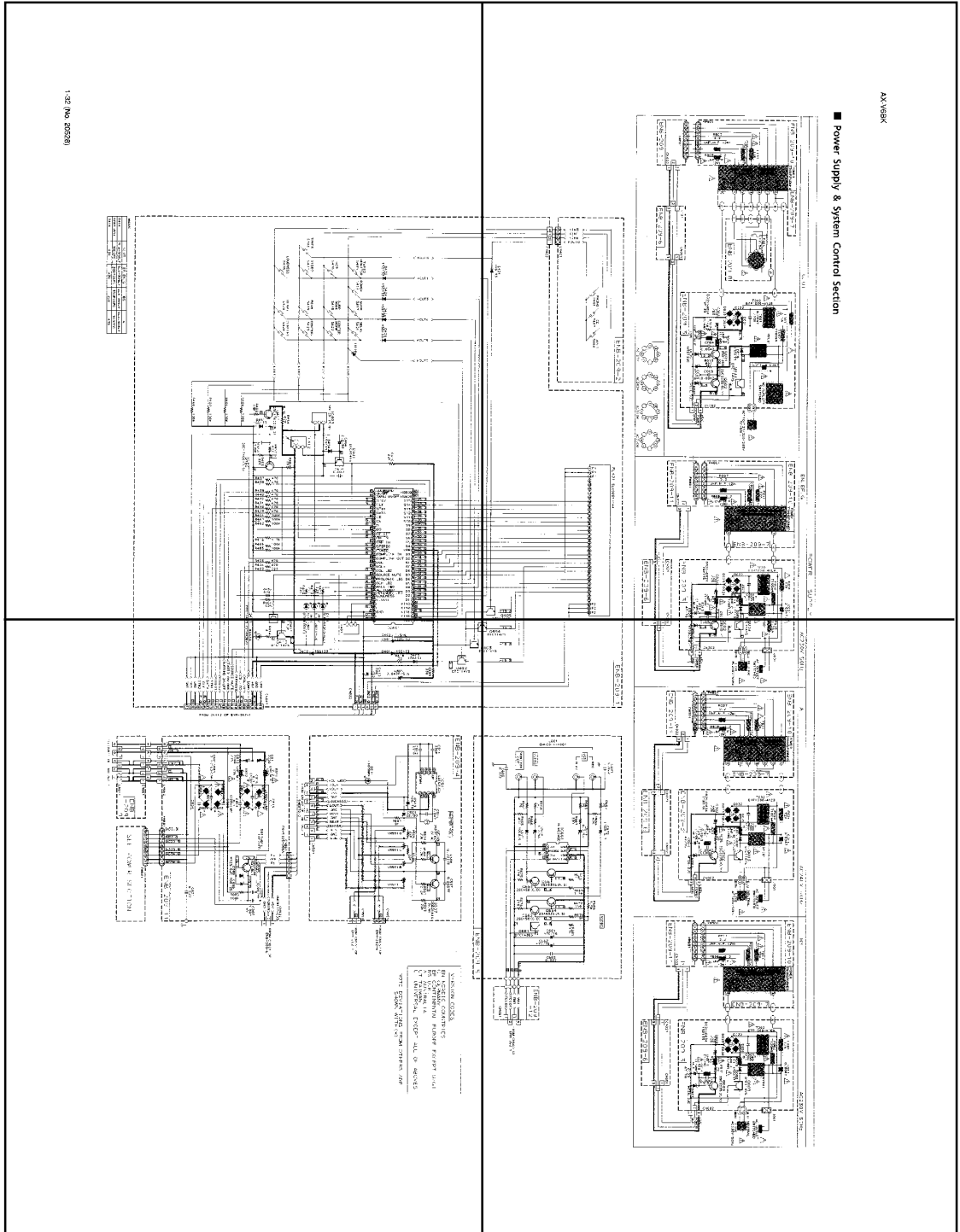
1. indicates +B power supply.
2. indicates -B power supply.
3. indicates MAIN signal path.
4. indicates REC signal path.
5. indicates CENTER signal path.
6. indicates REAR signal path.
7. When replacing the parts in the darkened area ( ) and those marked with , be sure to use the designated parts to ensure safety.
8. This is the standard circuit diagram. The design and contents are subject to change without notice.





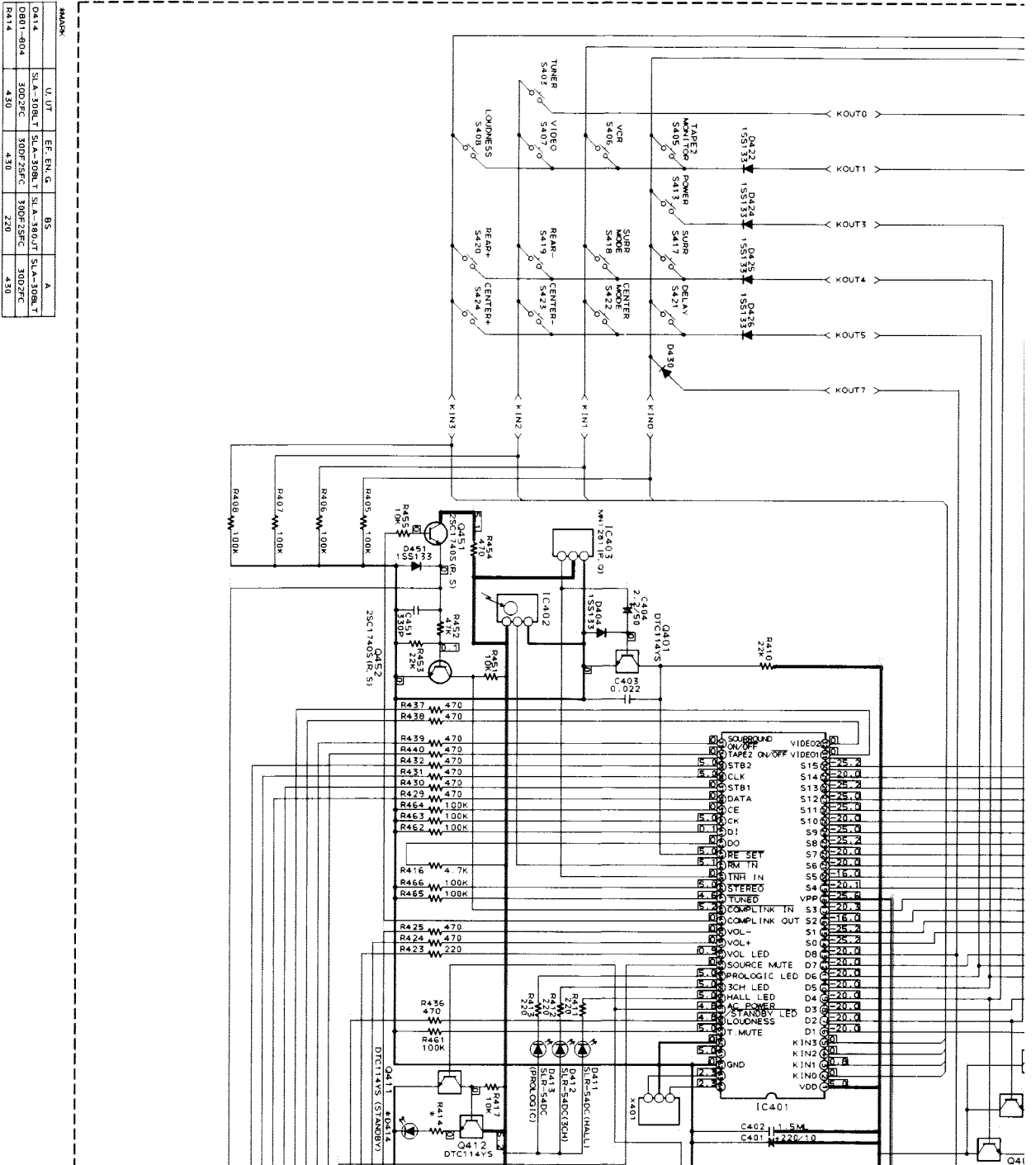
P1-32-a

P1-32-b

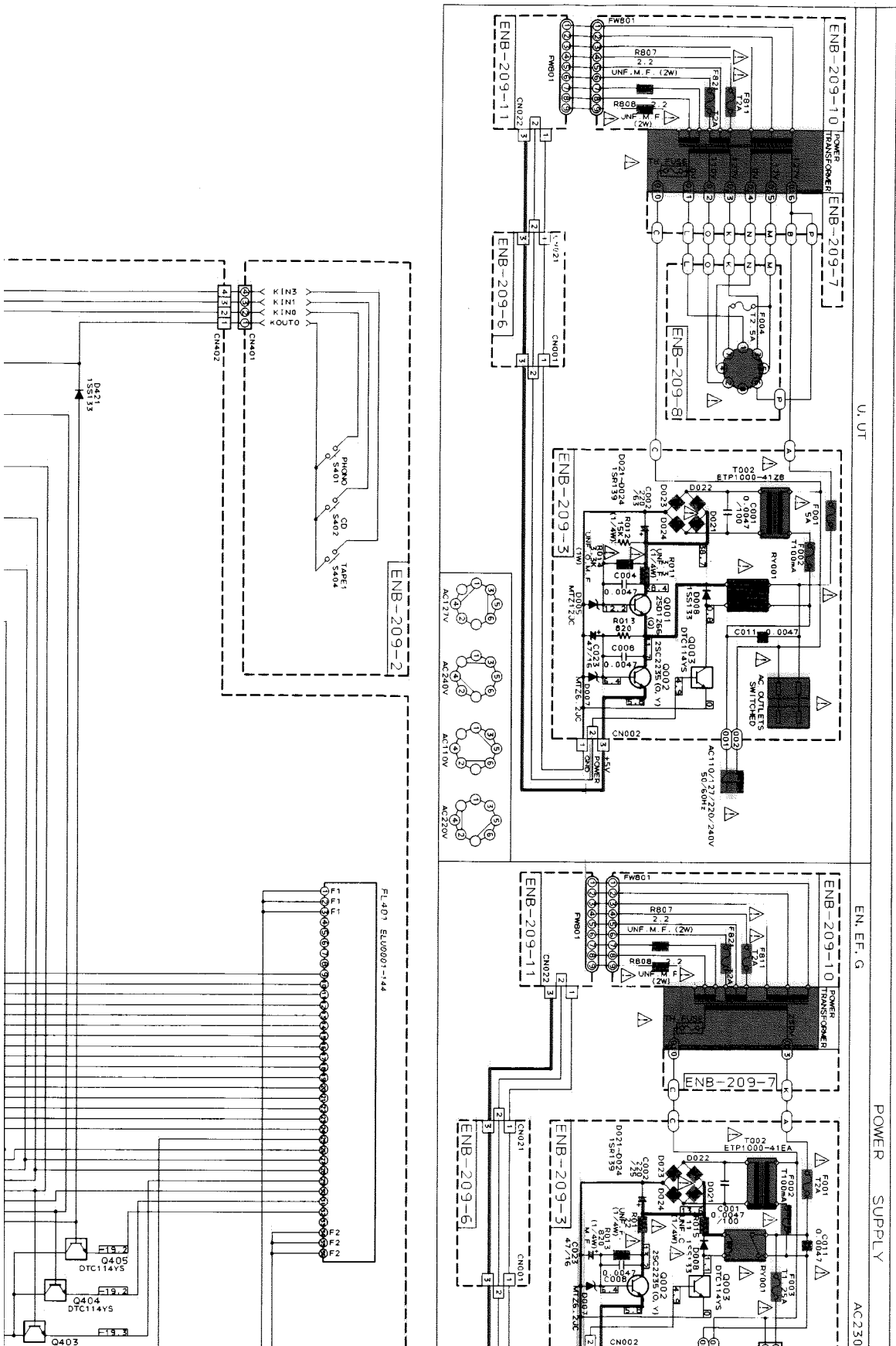


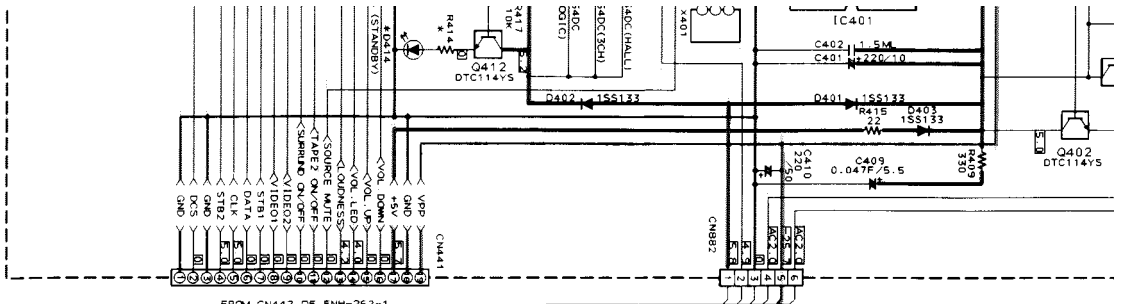
P1-32-c

P1-32-d

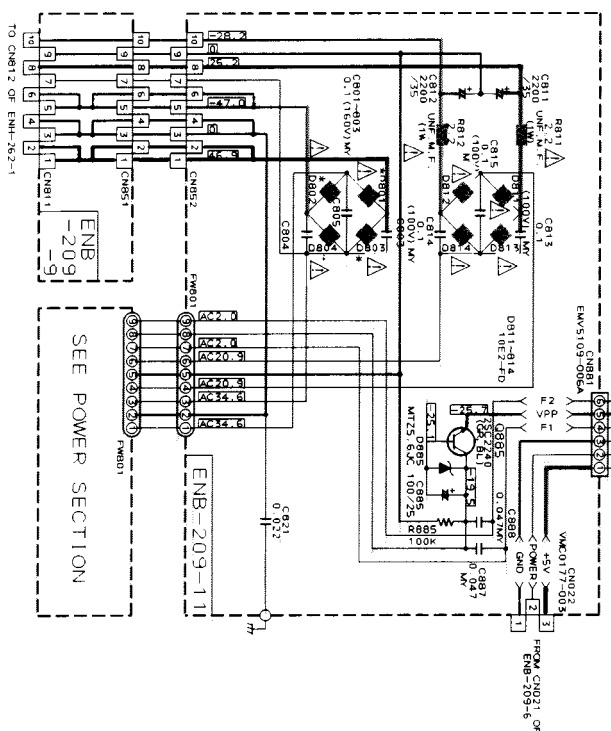
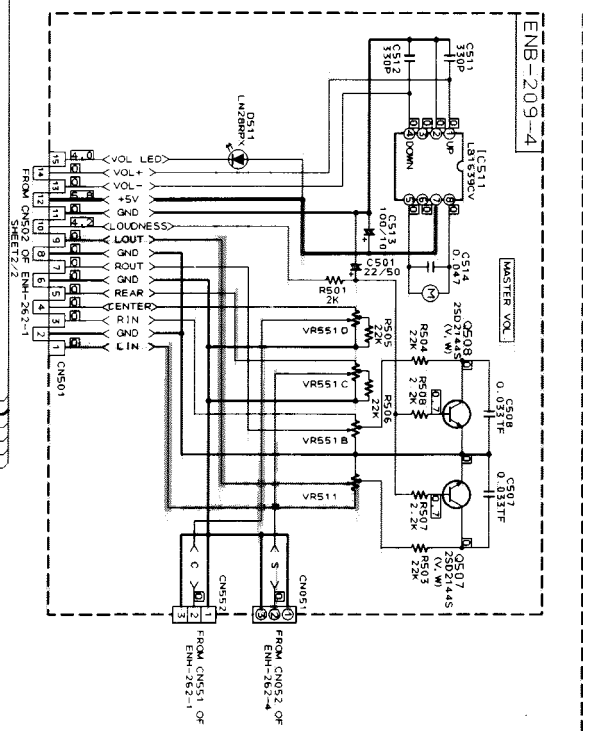


### Power Supply & System Control Section





FROM CN442 OF ENH-262-1



TO CN812 OF ENH-262-1

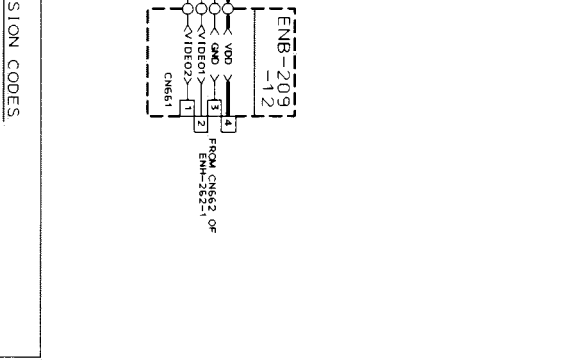
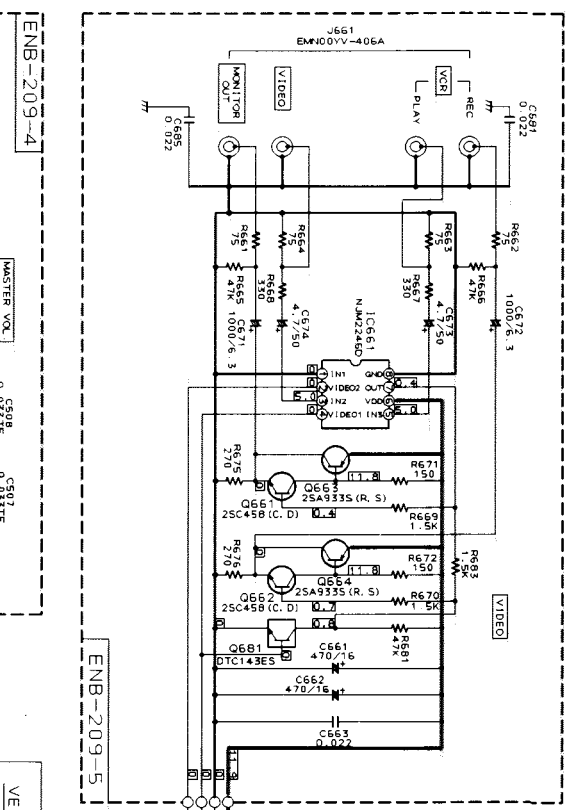
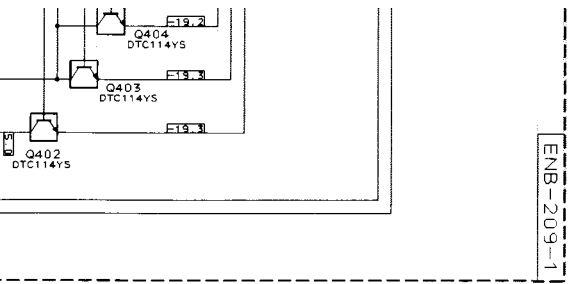
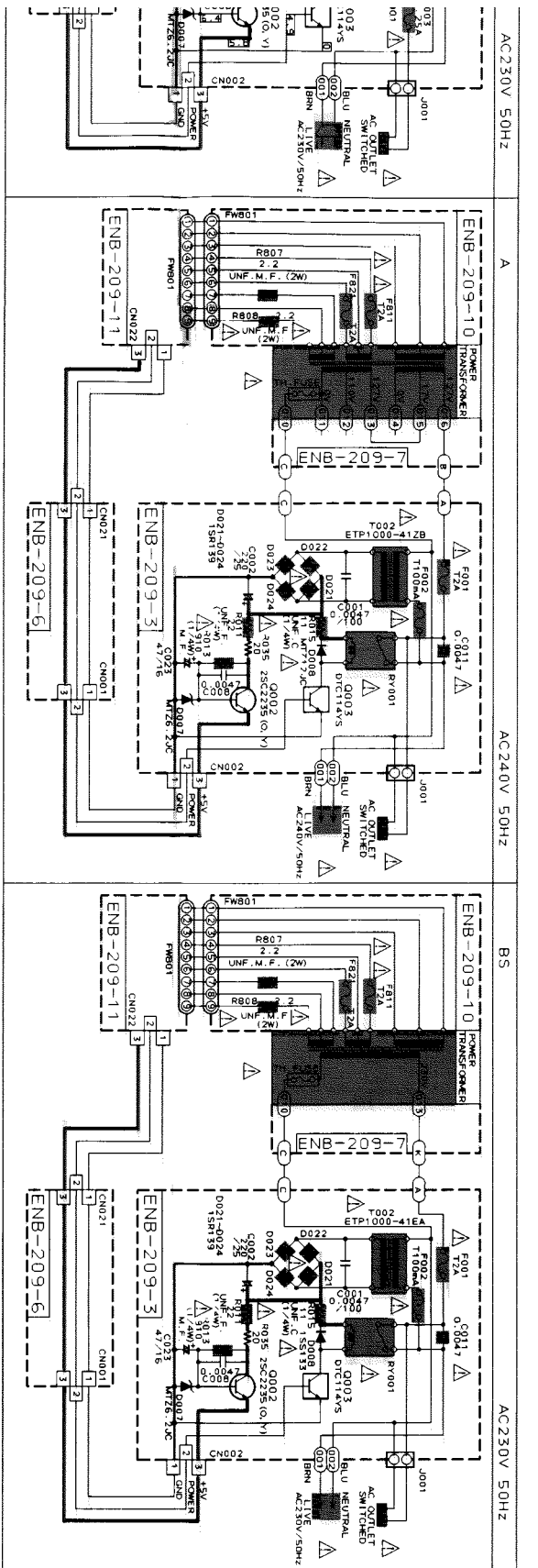
SEE POWER SECTION

VERSION CODES

EN	NORDIC COUNTRIES
G	GERMANY
EE	CONTINENTAL EUROPE EXCEPT G/G1
BS	U.K.
A	AUSTRALIA
UT	TAIWAN
U	UNIVERSAL EXCEPT ALL OF ABOVE

NOTE DEVIATIONS FROM OTHERS ARE SHOWN WITH (\*)





MASTER VOL.    CS08    CS07

VERSION CODES



# PARTS LIST

\* All printed circuit boards and its assemblies are not available as service parts.

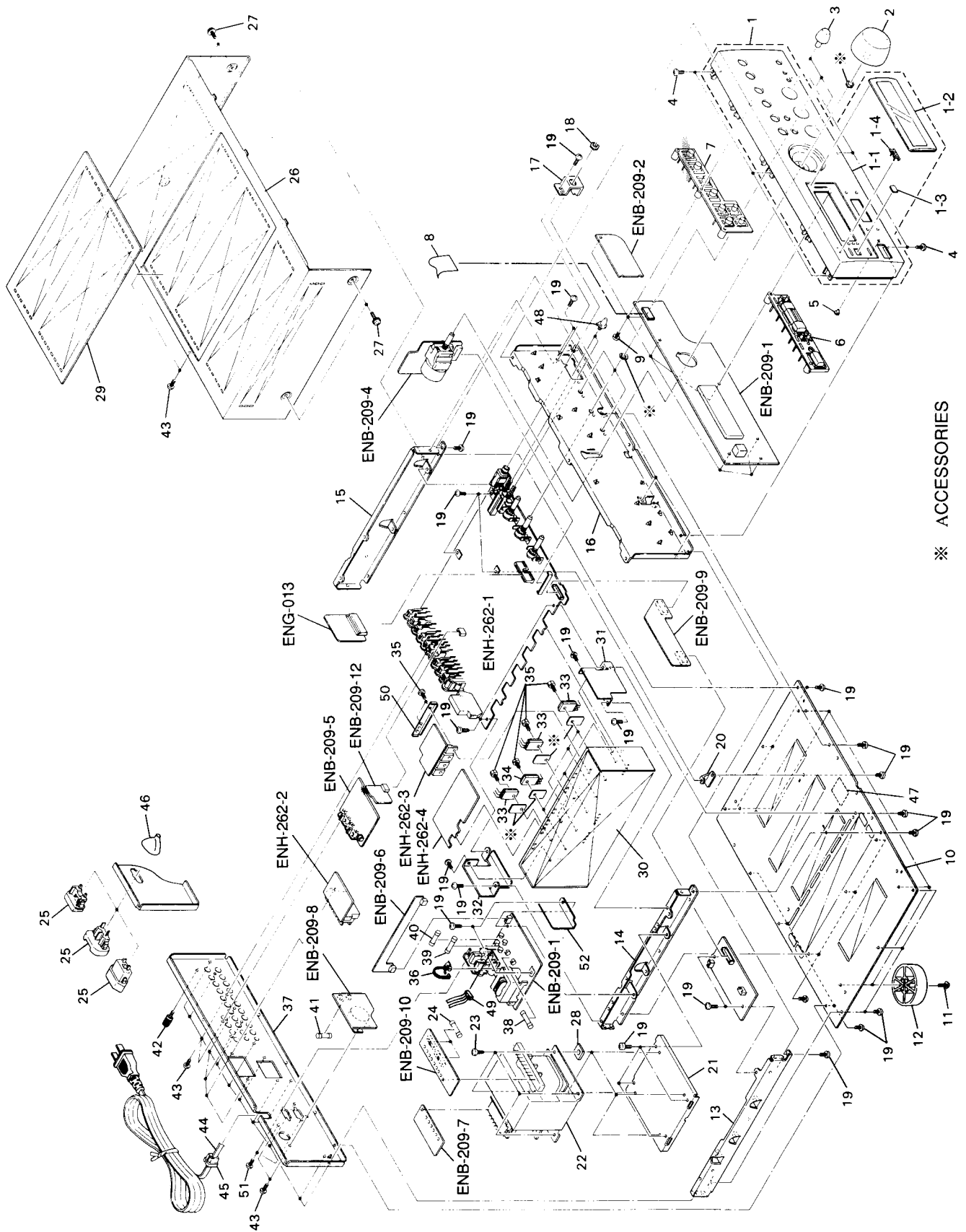
## Contents

General Exploded View and Parts List .....	2-2
Printed Circuit Board Ass'y and Parts List .....	2-4
■ ENH-262 □ Input Selector Power Amplifier PC Board Ass'y .....	2-4
■ ENB-209 □ Power Supply & System Control PC Board Ass'y .....	2-9
■ ENG-013 □ Pre-Driver PC Board Ass'y .....	2-12
Accessories List .....	2-13
Packing Materials and Part Numbers .....	2-14

# General Exploded View and Parts List

Symbol No. 

M	1	M	M
---	---	---	---



※ ACCESSORIES



# Parts List

Symbol No. 

M	1	M	M
---	---	---	---

Item	Part Number	Part Name	Q'ty	Description	Area
1	EFP-AXV6BKE(S)	FRONT PANEL ASS	1		
1-1	E103037-002SM	FRONT PANEL	1		
1-2	E309421-001	WINDOW SCREEN	1		
1-3	E72436-006	REMORT SCREEN	1		
1-4	VJD5429-001	JVC MARK	1		
2	E309465-001SM	VOLUME KNOB	1	MASTER VOLUME	
3	E309111-003SM	KNOB	3	BALANCE ETC.	
4	SDSG3008M	TAPPING SCREW	6		
5	FSJD4001-002	INDICATOR	1		
6	E208534-001SM	PUSH BUTTON	1	SORCE	
7	E208535-001SM	PUSH BUTTON	1	POWER ETC.	
8	VWF1219-16TTB	FFC CABLE	1	FW441	
9	SDSF2608Z	SCREW	8		
10	E102371-006SM	BOTTOM PLATE	1		
11	SBST3010Z	TAPPING SCREW	4	FOOT	
12	E406379-008SS	FOOT	4		BS,EF,EN,G
	VJF4039-00F	FOOT	4		A,U,UT
13	E206956-001SM	SIDE BRACKET	1	LEFT	
14	E206958-004SM	CENTER BRACKET	1		
15	E206957-001SM	SIDE BRACKET	1	RIGHT	
16	E103039-001SM	FRONT BRACKET	1		
17	E407323-002SM	HEADPHONE BRACKET	1		
18	VKZ4150-001	NUT	1	HEADPHONE	
19	SBSG3008CC	TAPPING SCREW	39		
20	E68587-222SM	BRACKET PLATE	1		
21	E309423-001SM	TRANSFORMER BRACKET	1		
22	ETP1200-66EAJ	POWER TRANSFORMER	1		BS,EF,EN,G
	ETP1200-66FAJ	POWER TRANSFORMER	1		A,U,UT
23	E65389-004	SPECIAL SCREW	4	POWER TRANSFORMER	
24	QMF51E2-2R0	FUSE	2	F811, F821	
25	EMC0236-001	AC OUTLET	1		EF,EN,G
	EMC0237-001BS	AC OUTLET	1		BS
	EMC0238-001	AC SOCKET	1		A
26	E207049-007(S)	METAL COVER	1		
27	E61660-004	SPECIAL SCREW	4		
28	E406309-003SM	SPACER	4	POWER TRANSFORMER	
29	E208294-001	PROTECTOR COVER	1		
30	E308835-007SM	HEAT SINK	1		
31	E309425-001SM	HEAT SINK BRACKET	1	FRONT	
32	E309426-001SM	HEAT SINK BRACKET	1	REAR	
33	2SA1633LD(D,E)	SI.TRANSISTOR	4	Q753, Q754, Q576, Q058	
34	2SC4278LD(D,E)	SI.TRANSISTOR	4	Q761, Q762, Q575, Q057	
35	E73525-003	SCREW	10		
36	E307572-001	FASTENER	1		
37	E208532-009SM	REAR PANEL	1		BS,EF,EN,G
	E208532-005SM	REAR PANEL	1		A
	E208532-006SM	REAR PANEL	1		U,UT
38	QMF51A2-R10S	FUSE	1	F002	A,EF,EN,G,U,UT
	QMF51E2-R10SBS	FUSE	1	F002	BS
39	QMF51E2-1R25	FUSE	1	F003	EF,EF,EN
40	QMF51E2-2R0	FUSE	1	F001	A,BS,EF,EN,G
	QMF51E2-4R0	FUSE	1	F001	U,UT
41	QMF51E2-2R0	FUSE	1	F004	U,UT

⚠	Item	Part Number	Part Name	Q'ty	Description	Area
	42	E408091-001	GND. TERMINAL	1		
	43	E73273-003	SPECIAL SCREW	18		
	43	E73273-003	SPECIAL SCREW	2		U,UT
⚠	44	QHS3771-108	CORD STOPPER	1		A,EF,EN,G,U,UT
⚠		QHS3771-108BS	CORD STOPPER	1		BS
⚠	45	QMP25F0-244	POWER CORD	1		A
⚠		QMP3900-200	POWER CORD	1		EF,EN,G
⚠		QMP5530-0085BS	POWER CORD	1		BS
⚠		QMP7520-200	POWER CORD	1		U,UT
	46	E406079-001	PROTECTOR COVER	1		BS
	47	E70115-002	CAUTION LABEL	1		
	48	E407321-002SM	PUSH BUTTON	2		
	49	EWS282-002	SOCKET WIRE	1		A,EF,EN,G
		EWS282-002BS	SOCKET WIRE	1		BS
	50	E406969-002SM	LEAF SPRING	1		
	51	SDSG3008CC	TAPPING SCREW	2		U,UT
	52	E408902-001SM	PROTECTOR COVER	1		
	-	E309384-013	RATING LABEL	1		UT
	-	E407619-043	FTZ LABEL	1		G
	-	E408450-001	CE LABEL	1		BS,EF,EN,G
	-	E70028-001	APPROVAL LABEL	1		EN
	-	E75139-003	Z LABEL	1		U,UT
	-	QZL1007-001	BEAB LABEL	1		BS
	-	QZL1031-101	LABEL	1		EF

⚠ : Safety Parts

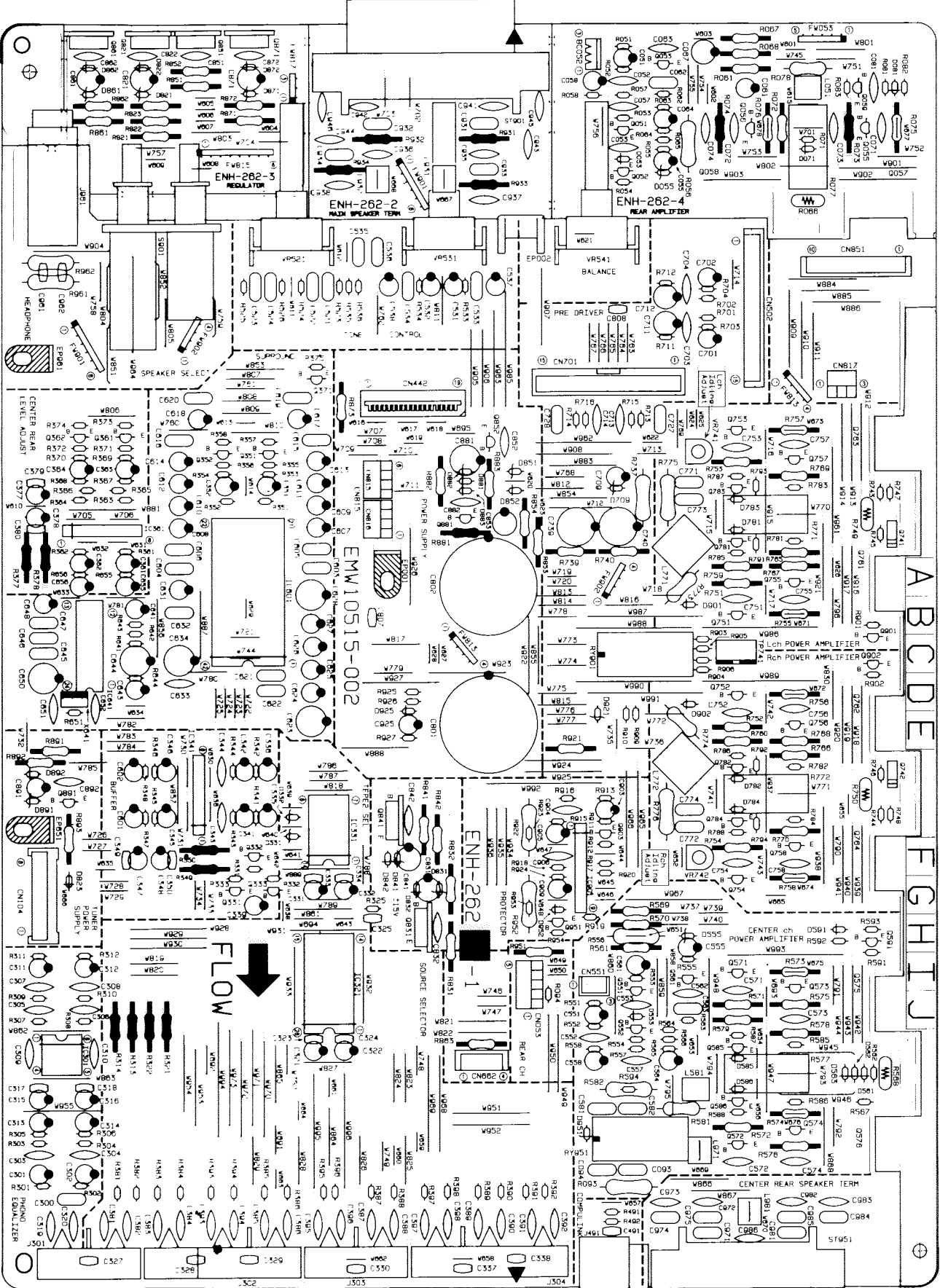
**The Marks for Designated Areas**

- |          |                |                             |          |          |                    |
|----------|----------------|-----------------------------|----------|----------|--------------------|
| A .....  | Australia      | BS .....                    | the U.K. | EF ..... | Continental Europe |
| EN ..... | Scandinavia    | G .....                     | Germany  | UT ..... | Taiwan             |
| U .....  | Universal Type | No mark indicates all area. |          |          |                    |

# Printed Circuit Board Ass'y and Parts List

■ ENH-262 □ Input Selector & Power Amp PC Board Ass'y

Note : ENH-262 □ varies according to the areas employed. See note (1) when placing an order.





Note (1)

PC Board Ass'y	Version	Designated Areas
ENH-262 <b>A</b>	EF	Continental Europe
	EN	Scandinavia
	GI	Italy
	G	Germany
ENH-262 <b>B</b>	BS	the U.K.
ENH-262 <b>C</b>	A	Australia
ENH-262 <b>D</b>	U UT	Universal Type Taiwan

TRANSISTORS

ITEM	PART NUMBER	DESCRIPTION	AREA
Q051	2SC2240(BL)	SI.TRANSIST	
Q052	2SC2240(BL)	SI.TRANSIST	
Q053	2SA1038(R,S)	SI.TRANSIST ROHM	
Q055	2SC2235(O,Y)	SI.TRANSIST TOSHIBA	
Q056	2SA965(Y)	SI.TRANSIST TOSHIBA	
Q059	2SC2389(S,E)	SI.TRANSIST ROHM	
Q331	DTA144ES	DIGITAL TRA ROHM	
Q332	DTC144ES	DIGITAL TRA ROHM	
Q333	DTC144ES	DIGITAL TRA ROHM	
Q351	2SD2144S(VW)	SI.TRANSIST ROHM	
Q352	2SD2144S(VW)	SI.TRANSIST ROHM	
Q361	2SD2144S(VW)	SI.TRANSIST ROHM	
Q362	2SD2144S(VW)	SI.TRANSIST ROHM	
Q371	DTA144ES	DIGITAL TRA ROHM	
Q551	2SC2240(BL)	SI.TRANSIST	
Q552	2SC2240(BL)	SI.TRANSIST	
Q561	2SA1038(R,S)	SI.TRANSIST ROHM	
Q571	2SC2389(S,E)	SI.TRANSIST ROHM	
Q572	2SA1038(R,S)	SI.TRANSIST ROHM	
Q573	2SC2235(O,Y)	SI.TRANSIST TOSHIBA	
Q574	2SA965(Y)	SI.TRANSIST TOSHIBA	
Q585	2SC2389(S,E)	SI.TRANSIST ROHM	
Q586	2SA1038(R,S)	SI.TRANSIST ROHM	
Q591	2SC2389(S,E)	SI.TRANSIST ROHM	
Q741	2SD636	SI.TRANSIST MATSUSHITA	
Q742	2SD636	SI.TRANSIST MATSUSHITA	
Q751	2SC2389(S,E)	SI.TRANSIST ROHM	
Q752	2SC2389(S,E)	SI.TRANSIST ROHM	
Q753	2SA1038(R,S)	SI.TRANSIST ROHM	
Q754	2SA1038(R,S)	SI.TRANSIST ROHM	
Q755	2SC2235(O,Y)	SI.TRANSIST TOSHIBA	
Q756	2SC2235(O,Y)	SI.TRANSIST TOSHIBA	
Q757	2SA965(Y)	SI.TRANSIST TOSHIBA	
Q758	2SA965(Y)	SI.TRANSIST TOSHIBA	
Q781	2SC2389(S,E)	SI.TRANSIST ROHM	
Q782	2SC2389(S,E)	SI.TRANSIST ROHM	
Q783	2SA1038(R,S)	SI.TRANSIST ROHM	
Q784	2SA1038(R,S)	SI.TRANSIST ROHM	
Q821	2SD2394(E,F)	SI.TRANSIST ROHM	
Q831	2SD2394(E,F)	SI.TRANSIST ROHM	
Q841	2SB1565(E,F)	SI.TRANSIST ROHM	
Q861	2SD2394(E,F)	SI.TRANSIST ROHM	
Q871	2SD2394(E,F)	SI.TRANSIST ROHM	
Q881	2SA965(Y)	SI.TRANSIST TOSHIBA	
Q901	2SC2389(S,E)	SI.TRANSIST ROHM	
Q902	2SC2389(S,E)	SI.TRANSIST ROHM	
Q903	2SA1038(R,S)	SI.TRANSIST ROHM	
Q951	DTC143TS	DIGITAL TRA ROHM	

I. C. S.

ITEM	PART NUMBER	DESCRIPTION	AREA
IC301	VC4580DD	I.C.(MONO-AN DAINICHI	
IC321	TC9164N	I.C.(DIGI-MO TOSHIBA	
IC331	UPD4066BC	I.C.(DIGI-MO NEC	
IC341	BA15218N	I.C.(MONO-AN ROHM	
IC361	BA15218N	I.C.(MONO-AN ROHM	
IC601	LA2785	I.C.(M) SANYO	
IC641	LV1011	I.C.(M) SANYO	
IC901	TA7317P	I.C.(MONO-AN TOSHIBA	

DIODES

ITEM	PART NUMBER	DESCRIPTION	AREA
D053	1SS133	SI.DIODE ROHM	
D055	MTZ18JC	ZENER DIODE ROHM	
D071	1SS133	SI.DIODE ROHM	
D081	1SS133	SI.DIODE ROHM	
D331	MTZ8.2JC	ZENER DIODE ROHM	
Q332	MTZ8.2JC	ZENER DIODE ROHM	
D553	1SS133	SI.DIODE ROHM	
D555	MTZ18JC	ZENER DIODE ROHM	
D561	1SS133	SI.DIODE ROHM	
D562	1SS133	SI.DIODE ROHM	
D563	1SS133	SI.DIODE ROHM	
D585	1SS133	SI.DIODE ROHM	
D586	1SS133	SI.DIODE ROHM	
D591	1SS133	SI.DIODE ROHM	
D709	MTZ18JC	ZENER DIODE ROHM	
D781	1SS133	SI.DIODE ROHM	
D782	1SS133	SI.DIODE ROHM	
D783	1SS133	SI.DIODE ROHM	
D784	1SS133	SI.DIODE ROHM	
D821	MTZ6.8JC	ZENER DIODE ROHM	
D822	1SS133	SI.DIODE ROHM	
D831	MTZ16JC	ZENER DIODE ROHM	
D832	1SS133	SI.DIODE ROHM	
D841	MTZ16JC	ZENER DIODE ROHM	
D842	1SS133	SI.DIODE ROHM	
D861	MTZ13JC	ZENER DIODE ROHM	
D862	1SS133	SI.DIODE ROHM	
D871	MTZ10JC	ZENER DIODE ROHM	
D872	1SS133	SI.DIODE ROHM	
D881	MTZ10JC	ZENER DIODE ROHM	
D882	MTZ16JC	ZENER DIODE ROHM	
D883	1SS133	SI.DIODE ROHM	
D901	1SS133	SI.DIODE ROHM	
D902	1SS133	SI.DIODE ROHM	
D921	MTZ24JC	ZENER DIODE ROHM	
D925	1SS133	SI.DIODE ROHM	
D951	MTZ24JC	ZENER DIODE ROHM	
D952	1SS133	SI.DIODE ROHM	

CAPACITORS

ITEM	PART NUMBER	DESCRIPTION	AREA
C051	QETB1HM-106	10MF 50V E.CAPACITO	
C052	QCS21HJ-271A	270PF 50V CER.CAPACI	
C053	QCS21HJ-101A	100PF 50V CER.CAPACI	
C055	QETB1EM-476	47MF 25V AL E.CAPAC	
C057	QCS21HJ-5R0	5PF 50V CER.CAPACI	
C058	QETB1CM-476	47MF 16V AL E.CAPAC	
C061	QETB1HM-225	2.2MF 50V AL E.CAPAC	
C062	QFLB1HJ-103	0.01MF 50V MYLAR CAPA	
C063	QCS22HJ-330	33PF 500V CER.CAPACI	
C064	QETB1HM-476	47MF 50V E.CAPACITO	
C067	QETB2AM-106	10MF 100V AL E.CAPAC	
C071	QCS22HJ-470A	47PF 500V CER.CAPACI	
C072	QCS22HJ-470A	47PF 500V CER.CAPACI	
C093	QFLB1HJ-473	0.047MF 50V MYLAR CAPA	
C094	QFLB1HJ-473	0.047MF 50V MYLAR CAPA	
C300	QFLB1HJ-223	0.022MF 50V MYLAR CAPA	
C301	QETB1HM-475E	4.7MF 50V E.CAPACITO	
C302	QETB1HM-475E	4.7MF 50V E.CAPACITO	
C303	QCS21HJ-101A	100PF 50V CER.CAPACI	
C304	QCS21HJ-101A	100PF 50V CER.CAPACI	
C305	QCY31HK-182Z	1800PF 50V CER.CAPACI	
C306	QCY31HK-182Z	1800PF 50V CER.CAPACI	
C307	QCY31HK-682Z	6800PF 50V CER.CAPACI	
C308	QCY31HK-682Z	6800PF 50V CER.CAPACI	
C309	QCS21HJ-101A	100PF 50V CER.CAPACI	
C310	QCS21HJ-101A	100PF 50V CER.CAPACI	
C311	QETB1HM-475E	4.7MF 50V E.CAPACITO	
C312	QETB1HM-475E	4.7MF 50V E.CAPACITO	
C313	QETB1AM-107	100MF 10V AL E.CAPAC	
C314	QETB1AM-107	100MF 10V AL E.CAPAC	
C315	QETB1CM-476	47MF 16V AL E.CAPAC	
C316	QETB1CM-476	47MF 16V AL E.CAPAC	
C319	QCS31HJ-331Z	330PF 50V CER.CAPACI	
C320	QCS31HJ-331Z	330PF 50V CER.CAPACI	
C321	QETB1EM-226N	22MF 25V E.CAPACITO	
C322	QETB1EM-226N	22MF 25V E.CAPACITO	
C325	QCB1HK-221Y	220PF 50V CER.CAPACI	
C331	QETB1EM-226N	22MF 25V E.CAPACITO	
C332	QETB1EM-226N	22MF 25V E.CAPACITO	
C335	QETB1HM-105	1MF 50V AL E.CAPAC	
C336	QETB1HM-105	1MF 50V AL E.CAPAC	
C339	QETB1HM-475E	4.7MF 50V E.CAPACITO	
C341	QETB1HM-106	10MF 50V E.CAPACITO	
C342	QETB1HM-106	10MF 50V E.CAPACITO	
C343	QCS21HJ-221	220PF 50V CER.CAPACI	
C344	QCS21HJ-221	220PF 50V CER.CAPACI	
C345	QETB1HM-106	10MF 50V E.CAPACITO	
C346	QETB1HM-106	10MF 50V E.CAPACITO	
C347	QETB1EM-226N	22MF 25V E.CAPACITO	
C348	QETB1EM-226N	22MF 25V E.CAPACITO	



CAPACITORS

CAPACITORS

Table with 5 columns: ITEM, PART NUMBER, DESCRIPTION, AREA, and AREA. Rows 351-938, listing various capacitor models like QETB1HM-225, QCS31HJ-331Z, etc.

Table with 5 columns: ITEM, PART NUMBER, DESCRIPTION, AREA, and AREA. Rows 398-774, listing various capacitor models like QCS31HJ-331Z, QFLB1HJ-332, etc.



RESISTORS

RESISTORS

ITEM	PART NUMBER	DESCRIPTION	AREA
R082	QRD161J-183	18K 1/6W CARBON RES	
R083	QRD161J-123	12K 1/6W CARBON RES	
R093	QRG022J-100A	10 2W OXIDE META	
R094	QRD161J-104	100K 1/6W CARBON RES	
R301	QRD161J-222	2.2K 1/6W CARBON RES	
R302	QRD161J-222	2.2K 1/6W CARBON RES	
R303	QRD161J-473	47K 1/6W CARBON RES	
R304	QRD161J-473	47K 1/6W CARBON RES	
R305	QRD161J-621	620 1/6W CARBON RES	
R306	QRD161J-621	620 1/6W CARBON RES	
R307	QRD161J-393	39K 1/6W CARBON RES	
R308	QRD161J-393	39K 1/6W CARBON RES	
R309	QRD161J-474	470K 1/6W CARBON RES	
R310	QRD161J-474	470K 1/6W CARBON RES	
R311	QRD161J-104	100K 1/6W CARBON RES	
R312	QRD161J-104	100K 1/6W CARBON RES	
R313	QRZ0077-391	390 1/4W FUSIBLE RE	
R314	QRZ0077-391	390 1/4W FUSIBLE RE	
R321	QRZ0077-680	68 1/4W FUSIBLE RE	
R322	QRZ0077-680	68 1/4W FUSIBLE RE	
R325	QRD161J-102	1K 1/6W CARBON RES	
R331	QRD161J-103	10K 1/6W CARBON RES	
R332	QRD161J-103	10K 1/6W CARBON RES	
R333	QRD161J-202	20K 1/6W CARBON RES	
R341	QRD161J-104	100K 1/6W CARBON RES	
R342	QRD161J-104	100K 1/6W CARBON RES	
R343	QRD161J-104	100K 1/6W CARBON RES	
R344	QRD161J-104	100K 1/6W CARBON RES	
R345	QRD161J-104	100K 1/6W CARBON RES	
R346	QRD161J-104	100K 1/6W CARBON RES	
R347	QRD161J-102	1K 1/6W CARBON RES	
R348	QRD161J-102	1K 1/6W CARBON RES	
R349	QRZ0077-680	68 1/4W FUSIBLE RE	
R350	QRZ0077-680	68 1/4W FUSIBLE RE	
R351	QRD161J-473	47K 1/6W CARBON RES	
R352	QRD161J-473	47K 1/6W CARBON RES	
R353	QRD161J-104	100K 1/6W CARBON RES	
R354	QRD161J-104	100K 1/6W CARBON RES	
R355	QRD161J-102	1K 1/6W CARBON RES	
R356	QRD161J-102	1K 1/6W CARBON RES	
R357	QRD161J-103	10K 1/6W CARBON RES	
R358	QRD161J-103	10K 1/6W CARBON RES	
R361	QRD161J-104	100K 1/6W CARBON RES	
R362	QRD161J-104	100K 1/6W CARBON RES	
R363	QRD161J-243	24K 1/6W CARBON RES	
R364	QRD161J-243	24K 1/6W CARBON RES	
R365	QRD161J-103	10K 1/6W CARBON RES	
R366	QRD161J-103	10K 1/6W CARBON RES	
R369	QRD161J-104	100K 1/6W CARBON RES	
R370	QRD161J-104	100K 1/6W CARBON RES	
R371	QRD161J-102	1K 1/6W CARBON RES	
R372	QRD161J-102	1K 1/6W CARBON RES	
R373	QRD161J-103	10K 1/6W CARBON RES	
R374	QRD161J-103	10K 1/6W CARBON RES	
R375	QRD161J-102	1K 1/6W CARBON RES	
R377	QRZ0077-680	68 1/4W FUSIBLE RE	
R378	QRZ0077-680	68 1/4W FUSIBLE RE	
R381	QRD161J-471	470 1/6W CARBON RES	
R382	QRD161J-471	470 1/6W CARBON RES	
R383	QRD161J-471	470 1/6W CARBON RES	
R384	QRD161J-471	470 1/6W CARBON RES	
R385	QRD161J-471	470 1/6W CARBON RES	
R386	QRD161J-471	470 1/6W CARBON RES	
R387	QRD161J-471	470 1/6W CARBON RES	
R388	QRD161J-471	470 1/6W CARBON RES	
R389	QRD161J-471	470 1/6W CARBON RES	
R390	QRD161J-471	470 1/6W CARBON RES	
R391	QRD161J-471	470 1/6W CARBON RES	
R392	QRD161J-471	470 1/6W CARBON RES	
R393	QRD161J-471	470 1/6W CARBON RES	
R394	QRD161J-471	470 1/6W CARBON RES	
R395	QRD161J-471	470 1/6W CARBON RES	
R396	QRD161J-471	470 1/6W CARBON RES	
R397	QRD161J-471	470 1/6W CARBON RES	
R398	QRD161J-471	470 1/6W CARBON RES	
R491	QRD161J-221	220 1/6W CARBON RES	
R492	QRD161J-471	470 1/6W CARBON RES	
R523	QRD161J-472	4.7K 1/6W CARBON RES	
R524	QRD161J-472	4.7K 1/6W CARBON RES	
R525	QRD161J-122	1.2K 1/6W CARBON RES	
R526	QRD161J-122	1.2K 1/6W CARBON RES	
R533	QRD161J-203	20K 1/6W CARBON RES	
R534	QRD161J-203	20K 1/6W CARBON RES	
R535	QRD161J-362	3.6K 1/6W CARBON RES	
R536	QRD161J-362	3.6K 1/6W CARBON RES	
R551	QRD161J-222	2.2K 1/6W CARBON RES	
R552	QRD161J-104	100K 1/6W CARBON RES	
R553	QRD161J-202	2K 1/6W CARBON RES	
R554	QRD161J-202	2K 1/6W CARBON RES	
R555	QRD161J-103	10K 1/6W CARBON RES	
R556	QRG022J-562A	5.6K 2W OXIDE META	
R557	QRD161J-104	100K 1/6W CARBON RES	
R558	QRD167J-751	750 1/6W CARBON RES	
R561	QRD14CJ-221S	220 1/4W UNF. CARBON	
R562	QRD167J-751	750 1/6W CARBON RES	

△ : SAFETY PARTS

ITEM	PART NUMBER	DESCRIPTION	AREA
R563	QRD161J-222	2.2K 1/6W CARBON RES	
R564	QRD161J-222	2.2K 1/6W CARBON RES	
R565	QRD161J-222	2.2K 1/6W CARBON RES	
R566	QRD161J-222	2.2K 1/6W CARBON RES	
R567	QRD161J-391	390 1/6W CARBON RES	
R568	ERT-D2WHL202S	2K 1/4W NEGATIVE T	
R569	QRD14CJ-100SX	10 1/4W UNF. CARBON	BS
R569	QRD14CJ-100SX	10 1/4W UNF. CARBON	EF
R569	QRD14CJ-100SX	10 1/4W UNF. CARBON	EN
R569	QRD14CJ-100SX	10 1/4W UNF. CARBON	G
R569	QRZ0077-331	330 1/4W FUSIBLE RE	A
R569	QRZ0077-331	330 1/4W FUSIBLE RE	U
R569	QRZ0077-331	330 1/4W FUSIBLE RE	UT
R570	QRD14CJ-100SX	10 1/4W UNF. CARBON	BS
R570	QRD14CJ-100SX	10 1/4W UNF. CARBON	EF
R570	QRD14CJ-100SX	10 1/4W UNF. CARBON	EN
R570	QRD14CJ-100SX	10 1/4W UNF. CARBON	G
R570	QRZ0077-331	330 1/4W FUSIBLE RE	A
R570	QRZ0077-331	330 1/4W FUSIBLE RE	U
R570	QRZ0077-331	330 1/4W FUSIBLE RE	UT
R571	QRD14CJ-100SX	10 1/4W UNF. CARBON	
R572	QRD14CJ-100SX	10 1/4W UNF. CARBON	
R575	QRD14CJ-100SX	10 1/4W UNF. CARBON	
R576	QRD14CJ-100SX	10 1/4W UNF. CARBON	
R577	ERF032K-R22	0.22 3W CEM. RESIST	
R578	QRD14CJ-271S	270 1/4W UNF. CARBON	
R579	QRD14CJ-272S	2.7K 1/4W UNF. CARBON	
R581	QRD125J-330	33 1/2W UNF. CARBON	
R582	QRG022J-100A	10 2W OXIDE META	
R585	QRD161J-181	180 1/6W CARBON RES	
R586	QRD161J-181	180 1/6W CARBON RES	
R587	QRD161J-391	390 1/6W CARBON RES	
R588	QRD161J-391	390 1/6W CARBON RES	
R591	QRD161J-102	1K 1/6W CARBON RES	
R592	QRD161J-183	18K 1/6W CARBON RES	
R593	QRD161J-123	12K 1/6W CARBON RES	
R594	QRD161J-104	100K 1/6W CARBON RES	
R641	QRD161J-102	1K 1/6W CARBON RES	
R642	QRD161J-102	1K 1/6W CARBON RES	
R643	QRD161J-203	20K 1/6W CARBON RES	
R644	QRD161J-393	39K 1/6W CARBON RES	
R651	QRD161J-105	1M 1/6W CARBON RES	
R655	QRD161J-104	100K 1/6W CARBON RES	
R656	QRD161J-104	100K 1/6W CARBON RES	
R701	QRD161J-222	2.2K 1/6W CARBON RES	
R702	QRD161J-222	2.2K 1/6W CARBON RES	
R703	QRD161J-104	100K 1/6W CARBON RES	
R704	QRD161J-104	100K 1/6W CARBON RES	
R711	QRD167J-751	750 1/6W CARBON RES	
R712	QRD167J-751	750 1/6W CARBON RES	
R713	QRD161J-133Y	13K 1/6W CARBON RES	
R714	QRD161J-133Y	13K 1/6W CARBON RES	
R715	QRD161J-823	82K 1/6W CARBON RES	
R716	QRD161J-823	82K 1/6W CARBON RES	
R737	QRG022J-562A	5.6K 2W OXIDE META	
R739	QRD14CJ-100SX	10 1/4W UNF. CARBON	BS
R739	QRD14CJ-100SX	10 1/4W UNF. CARBON	EF
R739	QRD14CJ-100SX	10 1/4W UNF. CARBON	EN
R739	QRD14CJ-100SX	10 1/4W UNF. CARBON	G
R739	QRD14CJ-221S	220 1/4W UNF. CARBON	A
R739	QRD14CJ-221S	220 1/4W UNF. CARBON	U
R739	QRD14CJ-221S	220 1/4W UNF. CARBON	UT
R740	QRD14CJ-100SX	10 1/4W UNF. CARBON	BS
R740	QRD14CJ-100SX	10 1/4W UNF. CARBON	EF
R740	QRD14CJ-100SX	10 1/4W UNF. CARBON	EN
R740	QRD14CJ-100SX	10 1/4W UNF. CARBON	G
R740	QRD14CJ-221S	220 1/4W UNF. CARBON	A
R740	QRD14CJ-221S	220 1/4W UNF. CARBON	U
R740	QRD14CJ-221S	220 1/4W UNF. CARBON	UT
R743	QRD167J-152	1.5K 1/6W CARBON RES	
R744	QRD167J-152	1.5K 1/6W CARBON RES	
R745	QRD161J-391	390 1/6W CARBON RES	
R746	QRD161J-391	390 1/6W CARBON RES	
R747	QRD161J-102	1K 1/6W CARBON RES	
R748	QRD161J-102	1K 1/6W CARBON RES	
R749	ERT-D2WHL202S	2K 1/4W NEGATIVE T	
R750	ERT-D2WHL202S	2K 1/4W NEGATIVE T	
R751	QRD14CJ-100SX	10 1/4W UNF. CARBON	
R752	QRD14CJ-100SX	10 1/4W UNF. CARBON	
R753	QRD14CJ-100SX	10 1/4W UNF. CARBON	
R754	QRD14CJ-100SX	10 1/4W UNF. CARBON	
R755	QRD14CJ-100SX	10 1/4W UNF. CARBON	
R756	QRD14CJ-100SX	10 1/4W UNF. CARBON	
R757	QRD14CJ-100SX	10 1/4W UNF. CARBON	
R758	QRD14CJ-100SX	10 1/4W UNF. CARBON	
R759	QRD14CJ-272S	2.7K 1/4W UNF. CARBON	
R760	QRD14CJ-272S	2.7K 1/4W UNF. CARBON	
R765	QRD14CJ-271S	270 1/4W UNF. CARBON	
R766	QRD14CJ-271S	270 1/4W UNF. CARBON	
R767	QRD14CJ-100SX	10 1/4W UNF. CARBON	
R768	QRD14CJ-100SX	10 1/4W UNF. CARBON	
R769	QRD14CJ-100SX	10 1/4W UNF. CARBON	
R770	QRD14CJ-100SX	10 1/4W UNF. CARBON	
R771	ERF032K-R22	0.22 3W CEM. RESIST	
R772	ERF032K-R22	0.22 3W CEM. RESIST	

△ : SAFETY PARTS

RESISTORS

Δ	ITEM	PART NUMBER	DESCRIPTION	AREA
Δ	R773	QRD125J-330	33 1/2W UNF. CARBON	
Δ	R774	QRD125J-330	33 1/2W UNF. CARBON	
Δ	R775	QRG022J-100A	10 2W OXIDE META	
Δ	R776	QRG022J-100A	10 2W OXIDE META	
Δ	R781	QRD161J-181	180 1/6W CARBON RES	
	R782	QRD161J-181	180 1/6W CARBON RES	
	R783	QRD161J-181	180 1/6W CARBON RES	
	R784	QRD161J-181	180 1/6W CARBON RES	
	R785	QRD161J-391	390 1/6W CARBON RES	A
	R785	QRD161J-391	390 1/6W CARBON RES	U
	R785	QRD161J-391	390 1/6W CARBON RES	UT
	R785	QRD161J-161	160 1/6W CARBON RES	BS
	R785	QRD161J-161	160 1/6W CARBON RES	EF
	R785	QRD161J-161	160 1/6W CARBON RES	EN
	R785	QRD161J-161	160 1/6W CARBON RES	G
	R786	QRD161J-391	390 1/6W CARBON RES	A
	R786	QRD161J-391	390 1/6W CARBON RES	U
	R786	QRD161J-391	390 1/6W CARBON RES	UT
	R786	QRD161J-161	160 1/6W CARBON RES	BS
	R786	QRD161J-161	160 1/6W CARBON RES	EF
	R786	QRD161J-161	160 1/6W CARBON RES	EN
	R786	QRD161J-161	160 1/6W CARBON RES	G
	R787	QRD161J-391	390 1/6W CARBON RES	A
	R787	QRD161J-391	390 1/6W CARBON RES	U
	R787	QRD161J-391	390 1/6W CARBON RES	UT
	R787	QRD161J-161	160 1/6W CARBON RES	BS
	R787	QRD161J-161	160 1/6W CARBON RES	EF
	R787	QRD161J-161	160 1/6W CARBON RES	EN
	R787	QRD161J-161	160 1/6W CARBON RES	G
	R788	QRD161J-391	390 1/6W CARBON RES	A
	R788	QRD161J-391	390 1/6W CARBON RES	U
	R788	QRD161J-161	160 1/6W CARBON RES	BS
	R788	QRD161J-161	160 1/6W CARBON RES	EF
	R788	QRD161J-161	160 1/6W CARBON RES	EN
	R788	QRD161J-161	160 1/6W CARBON RES	G
Δ	R821	QRZ0077-220X	22 1/4W FUSIBLE RE	
Δ	R822	QRZ0077-220X	22 1/4W FUSIBLE RE	
Δ	R823	QRD14CJ-332SX	3.3K 1/4W UNF. CARBON	
Δ	R831	QRD14CJ-100SX	10 1/4W UNF. CARBON	
Δ	R832	QRD14CJ-122SX	1.2K 1/4W UNF. CARBON	
Δ	R841	QRD14CJ-100SX	10 1/4W UNF. CARBON	
Δ	R842	QRD14CJ-122SX	1.2K 1/4W UNF. CARBON	
Δ	R861	QRZ0077-100	10 1/4W FUSIBLE RE	
Δ	R862	QRD14CJ-272S	2.7K 1/4W UNF. CARBON	
Δ	R863	QRD14CJ-100SX	10 1/4W UNF. CARBON	
Δ	R871	QRZ0077-100	10 1/4W FUSIBLE RE	
Δ	R872	QRD14CJ-332SX	3.3K 1/4W UNF. CARBON	
Δ	R873	QRD14CJ-2R2SX	2.2 1/4W UNF. CARBON	
Δ	R881	QRZ0077-100	10 1/4W FUSIBLE RE	
Δ	R882	QRD143J-472S	4.7K 1/4W CARBON RES	
Δ	R883	QRD14CJ-220S	22 1/4W UNF. CARBON	
	R901	QRD161J-102	1K 1/6W CARBON RES	
	R902	QRD161J-102	1K 1/6W CARBON RES	
	R903	QRD167J-153	15K 1/6W CARBON RES	
	R904	QRD167J-153	15K 1/6W CARBON RES	
	R905	QRD161J-123	12K 1/6W CARBON RES	
	R906	QRD161J-123	12K 1/6W CARBON RES	
	R909	QRD161J-104	100K 1/6W CARBON RES	
	R910	QRD161J-823	82K 1/6W CARBON RES	
	R911	QRD167J-332	3.3K 1/6W CARBON RES	
	R912	QRD161J-473	47K 1/6W CARBON RES	
	R913	QRD161J-103	10K 1/6W CARBON RES	
	R915	QRD161J-823	82K 1/6W CARBON RES	
	R916	QRD161J-563	56K 1/6W CARBON RES	
	R917	QRD161J-683	68K 1/6W CARBON RES	
	R918	QRD161J-392	3.9K 1/6W CARBON RES	
	R919	QRD167J-562	5.6K 1/6W CARBON RES	
	R920	QRD161J-224	220K 1/6W CARBON RES	
Δ	R921	QRD14CJ-470SX	47 1/4W UNF. CARBON	
Δ	R922	QRG022J-102AM	1K 2W OXIDE META	
	R923	QRD161J-820	82 1/6W CARBON RES	
	R924	QRD161J-820	82 1/6W CARBON RES	
	R925	QRD167J-562	5.6K 1/6W CARBON RES	
	R926	QRD167J-822	8.2K 1/6W CARBON RES	
	R927	QRD161J-103	10K 1/6W CARBON RES	
Δ	R931	QRZ0077-100	10 1/4W FUSIBLE RE	A
Δ	R931	QRZ0077-100	10 1/4W FUSIBLE RE	BS
Δ	R931	QRZ0077-100	10 1/4W FUSIBLE RE	EF
Δ	R931	QRZ0077-100	10 1/4W FUSIBLE RE	EN
Δ	R931	QRZ0077-100	10 1/4W FUSIBLE RE	G
Δ	R932	QRZ0077-100	10 1/4W FUSIBLE RE	A
Δ	R932	QRZ0077-100	10 1/4W FUSIBLE RE	BS
Δ	R932	QRZ0077-100	10 1/4W FUSIBLE RE	EF
Δ	R932	QRZ0077-100	10 1/4W FUSIBLE RE	EN
Δ	R932	QRZ0077-100	10 1/4W FUSIBLE RE	G
Δ	R933	QRZ0077-100	10 1/4W FUSIBLE RE	A
Δ	R933	QRZ0077-100	10 1/4W FUSIBLE RE	BS
Δ	R933	QRZ0077-100	10 1/4W FUSIBLE RE	EF
Δ	R933	QRZ0077-100	10 1/4W FUSIBLE RE	EN
Δ	R933	QRZ0077-100	10 1/4W FUSIBLE RE	G
Δ	R934	QRZ0077-100	10 1/4W FUSIBLE RE	A
Δ	R934	QRZ0077-100	10 1/4W FUSIBLE RE	BS
Δ	R934	QRZ0077-100	10 1/4W FUSIBLE RE	EF
Δ	R934	QRZ0077-100	10 1/4W FUSIBLE RE	EN

Δ : SAFETY PARTS

RESISTORS

Δ	ITEM	PART NUMBER	DESCRIPTION	AREA
Δ	R934	QRZ0077-100	10 1/4W FUSIBLE RE	G
Δ	R951	QRD14CJ-470SX	47 1/4W UNF. CARBON	
Δ	R952	QRG022J-102AF	1K 2W OXIDE META	
	R953	QRD167J-560	56 1/6W CARBON RES	
	R954	QRD167J-560	56 1/6W CARBON RES	
Δ	R961	QRG022J-471A	470 2W OXIDE META	
Δ	R962	QRG022J-471A	470 2W OXIDE META	
	VR521	QVDB96C-E15CJ3	100K VARIABLE R	
	VR531	QVDB96C-E15CJ3	100K VARIABLE R	
	VR541	QVDA96W-E15DJ3	100K VARIABLE R	
	VR741	QVPA601-501A	500 TRIMMER RE	
	VR742	QVPA601-501A	500 TRIMMER RE	

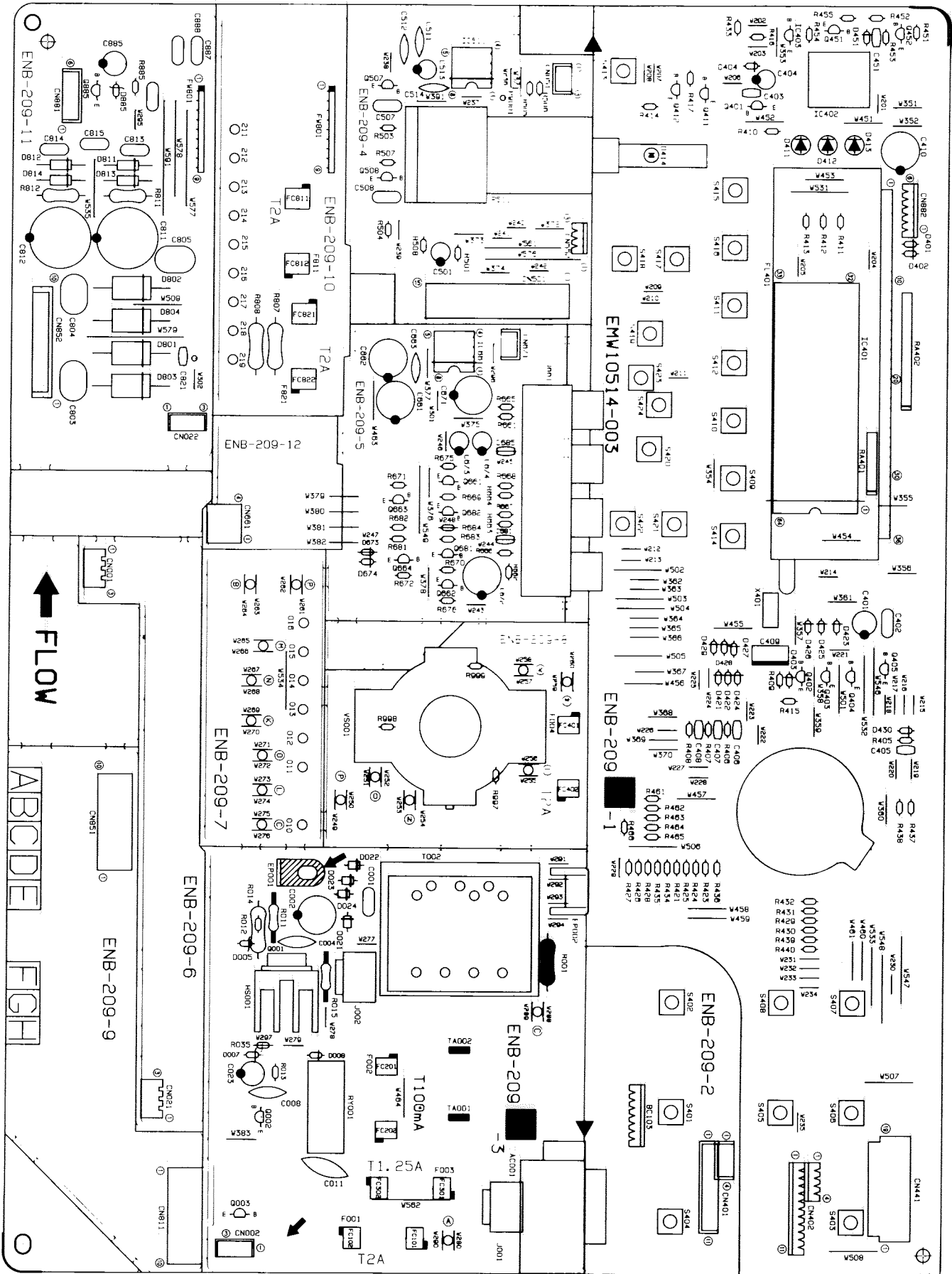
Δ : SAFETY PARTS

OTHERS

Δ	ITEM	PART NUMBER	DESCRIPTION	AREA
	J301	EMW10515-003	PRINTED BOA	
	J302	EMN00TV-423AJ2	PIN JACK	
	J302	EMN00TV-616AJ2	PIN JACK	
	J303	EMN00TV-423AJ2	PIN JACK	
	J304	EMN00TV-616AJ2	PIN JACK	
	J491	QMS3501-021	PIN JACK	
	J961	QMS6022-V01	MICROPHONE	
	L051	EQL0011-R45J1	INDUCTOR	
	L581	EQL0011-R45J1	INDUCTOR	
	L771	EQL0001-1R0	INDUCTOR	
	L772	EQL0001-1R0	INDUCTOR	
	L971	EQL0011-R45J1	INDUCTOR	A
	L971	EQL0011-R45J1	INDUCTOR	BS
	L971	EQL0011-R45J1	INDUCTOR	EF
	L971	EQL0011-R45J1	INDUCTOR	EN
	L971	EQL0011-R45J1	INDUCTOR	G
	L981	EQL0011-R45J1	INDUCTOR	A
	L981	EQL0011-R45J1	INDUCTOR	BS
	L981	EQL0011-R45J1	INDUCTOR	EF
	L981	EQL0011-R45J1	INDUCTOR	EN
	L981	EQL0011-R45J1	INDUCTOR	G
	S901	QST4241-E05J2	PUSH SWITCH	
	X641	ECXP8R0-001Z	CRYSTAL	
	BC052	EWS293-0117	SOCKET WIRE	
	CN053	EMV7145-005Z	SOCKET ASSY	
	CN442	EMV7123-019	P.W. BOARD C	
	CN502	EMV5125-015	MALE CONNec	
	CN551	EMV5109-003A	MALE CONNec	
	CN662	EMV5125-004	CONNECT TER	
	CN701	EMV7163-015	CONNECT TER	
	CN815	EMV7145-004Z	SOCKET ASSY	
	CN816	EMV7145-004Z	SOCKET ASSY	
	CN817	EMV7145-003Z	SOCKET ASSY	
	CN851	EMV5125-010	MALE CONNec	
	EP001	EMZ4002-001Z	EARTH PLATE	
	EP651	EMZ4002-001Z	EARTH PLATE	
	EP961	EMZ4002-001Z	EARTH PLATE	
	FW053	EWR35B-10LST	FLAT WIRE	
	FW813	EWR34B-20SST	FLAT WIRE	
	FW815	EWR38D-16LS	FLAT WIRE A	
	FW817	EWR33D-08LS	CORD	
	FW901	EWR36D-40SS	CORD	
	FW902	EWR34D-20SS	FLAT WIRE	
	RY901	ESK7D24-2120	RELAY	
	RY951	ESK7D24-2120	RELAY	
	ST901	EMB90TV-805G	SPEAKER TER	A
	ST901	EMB90TV-805G	SPEAKER TER	BS
	ST901	EMB90TV-805G	SPEAKER TER	EF
	ST901	EMB90TV-805G	SPEAKER TER	EN
	ST901	EMB90TV-805G	SPEAKER TER	G
	ST901	EMB90TV-805G	SPEAKER TER	U
	ST901	EMB90TV-805G	SPEAKER TER	UT
	ST951	EMB90TV-601G	SPEAKER TER	U
	ST951	EMB90TV-601G	SPEAKER TER	UT
	ST951	EMB90TV-602G	SPEAKER TER	A
	ST951	EMB90TV-602G	SPEAKER TER	BS
	ST951	EMB90TV-602G	SPEAKER TER	EF
	ST951	EMB90TV-602G	SPEAKER TER	EN
	ST951	EMB90TV-602G	SPEAKER TER	G
	TP741	QMV5005-004K	PLUG ASSY	

**■ ENB-209 □ Power Supply & System Control PC Board Ass'y**

Note : ENB-209 □ varies according to the areas employed. See note (2) when placing an order.



Note (2)

PC Board Ass'y	Version	Designated Areas
ENB-209 <b>A</b>	EF	Continental Europe
	EN	Scandinavia
	GI	Italy
	G	Germany
ENB-209 <b>B</b>	BS	the U.K.
ENB-209 <b>C</b>	A	Australia
ENB-209 <b>D</b>	U	Universal Type
	UT	Taiwan

TRANSISTORS

ITEM	PART NUMBER	DESCRIPTION	AREA
Q001	2SD1266	SI.TRANSIST MATSUSHITA	U
Q001	2SD1266	SI.TRANSIST MATSUSHITA	UT
Q002	2SC2235(O,Y)	SI.TRANSIST TOSHIBA	
Q003	DTC114YS	DIGITAL TRA ROHM	
Q401	DTC114YS	DIGITAL TRA ROHM	
Q402	DTC114YS	DIGITAL TRA ROHM	
Q403	DTC114YS	DIGITAL TRA ROHM	
Q404	DTC114YS	DIGITAL TRA ROHM	
Q405	DTC114YS	DIGITAL TRA ROHM	
Q411	DTC114YS	DIGITAL TRA ROHM	
Q412	DTC114YS	DIGITAL TRA ROHM	
Q451	2SC1740S(R,S)	SI.TRANSIST ROHM	
Q452	2SC1740S(R,S)	SI.TRANSIST ROHM	
Q507	2SD2144S(VW)	SI.TRANSIST ROHM	
Q508	2SD2144S(VW)	SI.TRANSIST ROHM	
Q661	2SC458(C,D)	SI.TRANSIST HITACHI	
Q662	2SC458(C,D)	SI.TRANSIST HITACHI	
Q663	2SA933S(RS)	SI.TRANSIST	
Q664	2SA933S(RS)	SI.TRANSIST	
Q681	DTC143ESTP	SILICON	
Q845	2SC2240(GR,BL)	SI.TRANSIST TOSHIBA	

I.C.S.

ITEM	PART NUMBER	DESCRIPTION	AREA
IC401	MN171202J5Y1	I.C(MICRO-C MATSUSHITA	
IC402	SPS-420-1	INFRARED DE SANYO	
IC403	MN1281(P,Q)	I.C(DIGI-MO MATSUSHITA	
IC511	LB1639-CV	I.C(DIGI-OT SANYO	
IC661	NJM2246D	I.C(MONO-AN DAINICHI	

DIODES

ITEM	PART NUMBER	DESCRIPTION	AREA
D005	MTZ12JC	ZENER DIODE ROHM	U
D005	MTZ12JC	ZENER DIODE ROHM	UT
D007	MTZ6.2JC	ZENER DIODE ROHM	
D008	MTZ12JC	ZENER DIODE ROHM	A
D008	1SS133	SI.DIODE ROHM	BS
D008	1SS133	SI.DIODE ROHM	EF
D008	1SS133	SI.DIODE ROHM	EN
D008	1SS133	SI.DIODE ROHM	G
D008	1SS133	SI.DIODE ROHM	U
D008	1SS133	SI.DIODE ROHM	UT
D021	1SR139-200	SI.DIODE ROHM	
D022	1SR139-200	SI.DIODE ROHM	
D023	1SR139-200	SI.DIODE ROHM	
D024	1SR139-200	SI.DIODE ROHM	
D401	1SS133	SI.DIODE ROHM	
D402	1SS133	SI.DIODE ROHM	
D403	1SS133	SI.DIODE ROHM	
D404	1SS133	SI.DIODE ROHM	
D411	SLR-34DC50F124	L.E.D.	
D412	SLR-34DC50F124	L.E.D.	
D413	SLR-34DC50F124	L.E.D.	
D414	SLA-380JT3F	L.E.D. ROHM	BS
D414	SLA-380LT3F	L.E.D. ROHM	A
D414	SLA-380LT3F	L.E.D. ROHM	EF
D414	SLA-380LT3F	L.E.D. ROHM	EN

DIODES

ITEM	PART NUMBER	DESCRIPTION	AREA
D414	SLA-380LT3F	L.E.D. ROHM	G
D414	SLA-380LT3F	L.E.D. ROHM	U
D414	SLA-380LT3F	L.E.D. ROHM	UT
D421	1SS133	SI.DIODE ROHM	
D422	1SS133	SI.DIODE ROHM	
D424	1SS133	SI.DIODE ROHM	
D425	1SS133	SI.DIODE ROHM	
D426	1SS133	SI.DIODE ROHM	
D430	1SS133	SI.DIODE ROHM	
D451	1SS133	SI.DIODE ROHM	
△ D801	30DF2SFC	SI.DIODE NIHONINTER	BS
△ D801	30DF2SFC	SI.DIODE NIHONINTER	EF
△ D801	30DF2SFC	SI.DIODE NIHONINTER	EN
△ D801	30DF2SFC	SI.DIODE NIHONINTER	G
△ D801	30D2FC	GE.DIODE NIHONINTER	A
△ D801	30D2FC	GE.DIODE NIHONINTER	U
△ D801	30D2FC	GE.DIODE NIHONINTER	UT
△ D802	30DF2SFC	SI.DIODE NIHONINTER	BS
△ D802	30DF2SFC	SI.DIODE NIHONINTER	EF
△ D802	30DF2SFC	SI.DIODE NIHONINTER	EN
△ D802	30DF2SFC	SI.DIODE NIHONINTER	G
△ D802	30D2FC	GE.DIODE NIHONINTER	A
△ D802	30D2FC	GE.DIODE NIHONINTER	U
△ D802	30D2FC	GE.DIODE NIHONINTER	UT
△ D803	30DF2SFC	SI.DIODE NIHONINTER	BS
△ D803	30DF2SFC	SI.DIODE NIHONINTER	EF
△ D803	30DF2SFC	SI.DIODE NIHONINTER	EN
△ D803	30DF2SFC	SI.DIODE NIHONINTER	G
△ D803	30D2FC	GE.DIODE NIHONINTER	A
△ D803	30D2FC	GE.DIODE NIHONINTER	U
△ D803	30D2FC	GE.DIODE NIHONINTER	UT
△ D804	30DF2SFC	SI.DIODE NIHONINTER	BS
△ D804	30DF2SFC	SI.DIODE NIHONINTER	EF
△ D804	30DF2SFC	SI.DIODE NIHONINTER	EN
△ D804	30DF2SFC	SI.DIODE NIHONINTER	G
△ D804	30D2FC	GE.DIODE NIHONINTER	A
△ D804	30D2FC	GE.DIODE NIHONINTER	U
△ D804	30D2FC	GE.DIODE NIHONINTER	UT
△ D811	10E2-FD	DIODE NIHONINTER	
△ D812	10E2-FD	DIODE NIHONINTER	
△ D813	10E2-FD	DIODE NIHONINTER	
△ D814	10E2-FD	DIODE NIHONINTER	
△ D885	MTZ5.6JC	ZENER DIODE ROHM	

△ :SAFETY PARTS

CAPACITORS

ITEM	PART NUMBER	DESCRIPTION	AREA
C001	QFN82AK-472	4700PF 100V METAL.MYLA	
C002	QETB1EM-227	220MF 25V AL E.CAPAC	A
C002	QETB1EM-227	220MF 25V AL E.CAPAC	BS
C002	QETB1EM-227	220MF 25V AL E.CAPAC	EF
C002	QETB1EM-227	220MF 25V AL E.CAPAC	EN
C002	QETB1EM-227	220MF 25V AL E.CAPAC	G
C002	QETB1JM-227	220MF 63V AL E.CAPAC	U
C002	QETB1JM-227	220MF 63V AL E.CAPAC	UT
C004	QCF21HP-472	4700PF 50V CER.CAPACI	U
C004	QCF21HP-472	4700PF 50V CER.CAPACI	UT
C008	QCF21HP-472	4700PF 50V CER.CAPACI	
△ C011	QCZ9019-472	4700PF C.CAPACITO	A
△ C011	QCZ9019-472	4700PF C.CAPACITO	EF
△ C011	QCZ9019-472	4700PF C.CAPACITO	EN
△ C011	QCZ9019-472	4700PF C.CAPACITO	G
△ C011	QCZ9019-472	4700PF C.CAPACITO	U
△ C011	QCZ9019-472	4700PF C.CAPACITO	UT
△ C011	QCZ9019-472	4700PF CERAMIC	BS
C023	QETB1CM-476	47MF 16V AL E.CAPAC	
C401	QETB1AM-227	220MF 10V E.CAPACITO	
C402	QCZO202-155	1.5MF 25V CER.RESIST	
C403	QCHB1EZ-223	0.022MF 25V CER.CAPACI	
C404	QERS1HM-225G	2.2MF 50V AL E.CAPAC	
C409	QEAD0H2-479ZB	47000MF E.CAPACITO	
C410	QETB1VM-227	220MF 35V AL E.CAPAC	
C451	QCBB1HK-331Y	330PF 50V CER.CAPACI	
C501	QETB1HM-226E	22MF 50V E.CAPACITO	
C507	QFLB1HJ-333	0.033MF 50V MYLAR CAPA	
C508	QFLB1HJ-333	0.033MF 50V MYLAR CAPA	
C511	QC21HK-331	330PF 50V CER.CAPACI	
C512	QCY21HK-331	330PF 50V CER.CAPACI	
C513	QETB1AM-107	100MF 10V AL E.CAPAC	
C514	QCF21HP-473A	0.047MF 50V CER.CAPACI	
C661	QETB1VM-477E	470MF 35V AL E.CAPAC	
C662	QETB1VM-477E	470MF 35V AL E.CAPAC	
C663	QCF21HP-223A	0.022MF 50V CER.CAPACI	
C671	QETBOJM-108N	1000MF 6.3V E.CAPACITO	
C672	QETBOJM-108N	1000MF 6.3V E.CAPACITO	
C673	QETB1HM-475E	4.7MF 50V E.CAPACITO	
C674	QETB1HM-475E	4.7MF 50V E.CAPACITO	
C681	QCBB1HK-102Y	1000PF 50V CER.CAPACI	
C685	QCBB1HK-102Y	1000PF 50V CER.CAPACI	
C803	QFN82CK-104	0.1MF 160V METAL.MYLA	
C804	QFN82CK-104	0.1MF 160V METAL.MYLA	
C805	QFN82CK-104	0.1MF 160V METAL.MYLA	

△ :SAFETY PARTS





OTHERS

Δ	ITEM	PART NUMBER	DESCRIPTION	AREA
	CN002	VMC0177-003	CONNECT TER	
	CN021	VMC0178-003	CONNECT TER	
	CN022	VMC0177-003	CONNECT TER	
	CN051	EMV5109-003A	MALE CONNec	
	CN401	EMV5109-004A	MALE CONNec	
	CN402	EMS264-A408J	SOCKET WIRE	
	CN441	EMV7123-019R	CONNECTOR	
	CN501	EMV7125-015R	P.W.BOARD C	
	CN552	EMS293-0130	SOCKET WIRE	
	CN661	EMV7125-004R	CONNECT TER	
	CN811	EMV7125-010R	MALE CONNec	
	CN851	EMV7125-010R	MALE CONNec	
	CN852	EMV5125-010	MALE CONNec	
	CN881	EMV5109-006A	CONNECT TER	
	CN882	EMS266-A413	SOCKET WIRE	
	EP001	EMZ4002-001Z	EARTH PLATE	
	EP002	E70225-001	EARTH PLATE	
	FC101	VMZ0087-001Z	FUSE HOLDER	
	FC102	VMZ0087-001Z	FUSE HOLDER	
	FC201	VMZ0087-001Z	FUSE HOLDER	
	FC202	VMZ0087-001Z	FUSE HOLDER	
	FC301	VMZ0087-001Z	FUSE HOLDER	EF
	FC301	VMZ0087-001Z	FUSE HOLDER	EN
	FC301	VMZ0087-001Z	FUSE HOLDER	G
	FC302	VMZ0087-001Z	FUSE HOLDER	EF
	FC302	VMZ0087-001Z	FUSE HOLDER	EN
	FC401	VMZ0087-001Z	FUSE HOLDER	G
	FC401	VMZ0087-001Z	FUSE HOLDER	UT
	FC402	VMZ0087-001Z	FUSE HOLDER	U

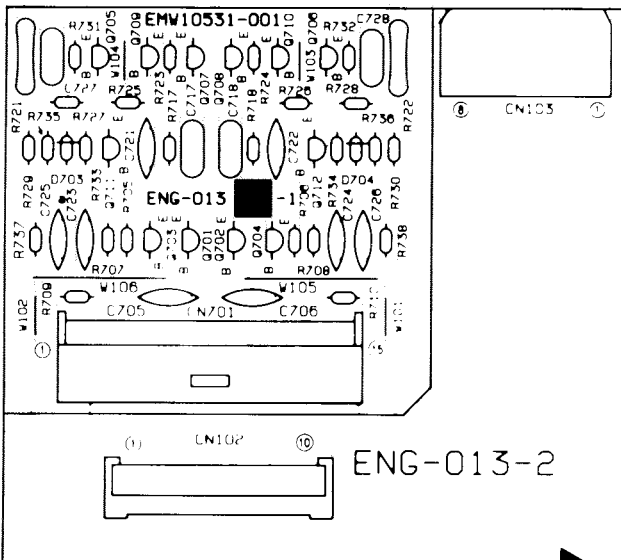
OTHERS

Δ	ITEM	PART NUMBER	DESCRIPTION	AREA
	FC402	VMZ0087-001Z	FUSE HOLDER	UT
	FC811	VMZ0087-001Z	FUSE HOLDER	
	FC812	VMZ0087-001Z	FUSE HOLDER	
	FC821	VMZ0087-001Z	FUSE HOLDER	
	FC822	VMZ0087-001Z	FUSE HOLDER	
	FH001	E308270-002SM	FL HOLDER	
	FH002	E308270-002SM	FL HOLDER	
	FL401	ELU0001-144	FLUORESCENT	
	FW801	EWR39D-08SS	FLAT WIRE A	
	HS001	E70945-H40B	HEAT SINK	U
	HS001	E70945-H40B	HEAT SINK	UT
Δ	RY001	ESK1D12-118J1	RELAY	A
Δ	RY001	ESK1D12-118J1	RELAY	EF
Δ	RY001	ESK1D12-118J1	RELAY	EN
Δ	RY001	ESK1D12-118J1	RELAY	G
Δ	RY001	ESK1D12-118J1	RELAY	UT
Δ	RY001	ESK1D12-118J1	RELAY	BS
Δ	RY001	ESK1D12-118J1BS	RELAY	
	SP001	E3400-444	FELT SPACER	
	SP002	E3400-444	FELT SPACER	
	TA001	EMZ4001-001	TAB	
	TA002	EMZ4001-001	TAB	
Δ	VS001	QSR0085-018	SELECT SWIT	U
Δ	VS001	QSR0085-018	SELECT SWIT	UT

Δ : SAFETY PARTS

■ ENG-013 □ Pre-Driver PC Board Ass'y

Note : ENG-013 □ varies according to the areas employed. See note (3) when placing an order.



Note (3)

PC Board Ass'y	Version	Designated Areas
ENG-013 <b>B</b>	BS	the U.K.
	EF	Continental Europe
	EN	Scandinavia
	G	Germany
	GI	Italy
ENG-013 <b>A</b>	A	Australia
	U	Universal Type
	UT	Taiwan

TRANSISTORS

Δ	ITEM	PART NUMBER	DESCRIPTION	AREA
	Q701	2SC1775AV(F1)	SI.TRANSIST HITACHI	
	Q702	2SC1775AV(F1)	SI.TRANSIST HITACHI	
	Q703	2SC1775AV(F1)	SI.TRANSIST HITACHI	
	Q704	2SC1775AV(F1)	SI.TRANSIST HITACHI	
	Q705	2SA1038(R,S)	SI.TRANSIST ROHM	
	Q706	2SA1038(R,S)	SI.TRANSIST ROHM	
	Q707	2SA933LN(R,S)	SI.TRANSIST ROHM	
	Q708	2SA933LN(R,S)	SI.TRANSIST ROHM	
	Q709	2SA1038(R,S)	SI.TRANSIST ROHM	
	Q710	2SA1038(R,S)	SI.TRANSIST ROHM	
	Q711	2SC2389(S,E)	SI.TRANSIST ROHM	
	Q712	2SC2389(S,E)	SI.TRANSIST ROHM	

DIODES

Δ	ITEM	PART NUMBER	DESCRIPTION	AREA
	D703	1SS133	SI.DIODE ROHM	
	D704	1SS133	SI.DIODE ROHM	

CAPACITORS

Δ	ITEM	PART NUMBER	DESCRIPTION	AREA
	C705	QCS21HJ-101A	100PF 50V CER.CAPACI	
	C706	QCS21HJ-101A	100PF 50V CER.CAPACI	
	C717	QFN81HJ-152	1500PF 50V METAL.MYLA	
	C718	QFN81HJ-152	1500PF 50V METAL.MYLA	
	C721	QCS21HJ-220A	22PF 50V CER.CAPACI	
	C722	QCS21HJ-220A	22PF 50V CER.CAPACI	
	C723	QCS21HJ-680A	68PF 50V CER.CAPACI	
	C724	QCS21HJ-680A	68PF 50V CER.CAPACI	
	C725	QCS21HJ-680A	68PF 50V CER.CAPACI	
	C726	QCS21HJ-680A	68PF 50V CER.CAPACI	

RESISTORS

△	ITEM	PART NUMBER	DESCRIPTION		AREA
	R705	QRD161J-202	2K	1/6W CARBON RES	
	R706	QRD161J-202	2K	1/6W CARBON RES	
	R707	QRD161J-202	2K	1/6W CARBON RES	
	R708	QRD161J-202	2K	1/6W CARBON RES	
	R709	QRD161J-103	10K	1/6W CARBON RES	
	R710	QRD161J-103	10K	1/6W CARBON RES	
	R717	QRD161J-101	100	1/6W CARBON RES	
	R718	QRD161J-101	100	1/6W CARBON RES	
	R721	QRD14CJ-151SX	150	1/4W UNF. CARBON	
△	R722	QRD14CJ-151SX	150	1/4W UNF. CARBON	
	R723	QRD167J-152	1.5K	1/6W CARBON RES	
	R724	QRD167J-152	1.5K	1/6W CARBON RES	
	R725	QRD161J-333	33K	1/6W CARBON RES	
	R726	QRD161J-333	33K	1/6W CARBON RES	
	R727	QRD161J-333	33K	1/6W CARBON RES	
	R728	QRD161J-333	33K	1/6W CARBON RES	
	R729	QRD161J-391	390	1/6W CARBON RES	
	R730	QRD161J-391	390	1/6W CARBON RES	
	R731	QRD161J-392	3.9K	1/6W CARBON RES	
	R732	QRD161J-392	3.9K	1/6W CARBON RES	
	R733	QRD161J-392	3.9K	1/6W CARBON RES	
	R734	QRD161J-392	3.9K	1/6W CARBON RES	
	R735	QRD161J-391	390	1/6W CARBON RES	
	R736	QRD161J-391	390	1/6W CARBON RES	
	R737	QRD167J-152	1.5K	1/6W CARBON RES	
	R738	QRD167J-152	1.5K	1/6W CARBON RES	

△ : SAFETY PARTS

OTHERS

△	ITEM	PART NUMBER	DESCRIPTION	AREA
	CN701	EMW10531-002A EMV5163-015R	CIR. BOARD CONNECTER	

Accessories List

Symbol No. 

M	2	M	M
---	---	---	---

△	Item	Part Number	Part Name	Q'ty	Description	Area
	1	E30580-2248A	INSTRUCTION BOOK	1		EF,G,BS
		E30580-2249A	INSTRUCTION BOOK	1		EN
		E30580-2250A	INSTRUCTION BOOK	1		A,U,UT
	2	RM-SAV6U	WIRE-LESS REMOTE CONTROL	1		
	3	R6PRPA-2PSA	DRY CELL	1		
	4	QPGA025-03505B	POLY BAG	1		
	-	BT-20066A	WARRANTY CARD	1		BS
	-	BT-20134	WARRANTY CARD	1		G
	-	BT-56001-1	WARRANTY CARD	1		A
	-	BT20060	WARRANTY CARD	1		BS
△	-	EMC0202-001BS	AC PLUG	1		BS
△	-	ENZ2203-001	ADAPTOR PLUG	1		U,UT
	-	E43486-340A	SAFETY SHEET	1		BS
	-	E43486-371A	INSTRUCTION SHEET	1		BS

△ : Safety Parts

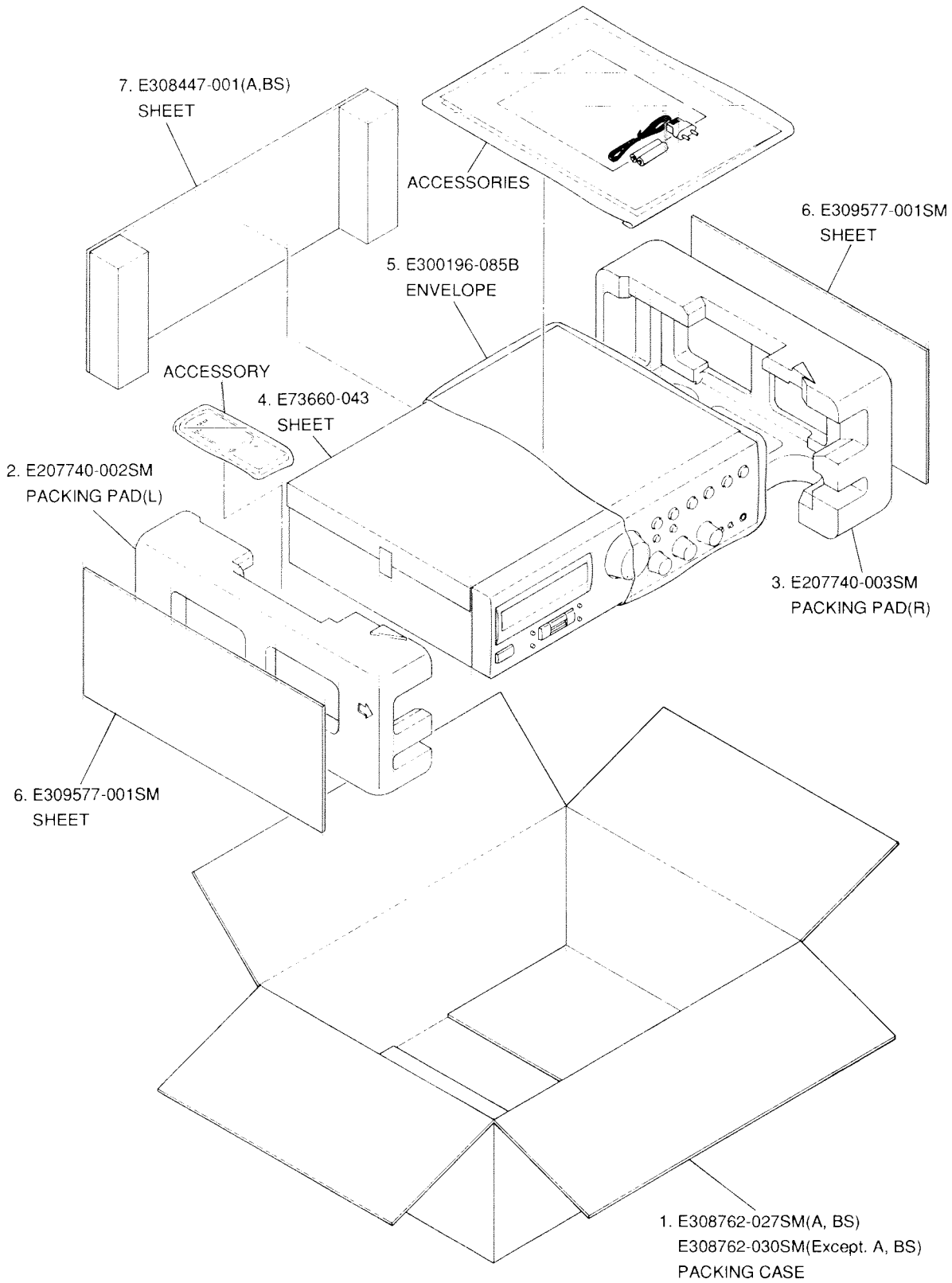
The Marks for Designated Areas

A . . . . . Australia	BS . . . . . the U.K.	EF . . . . . Continental Europe
EN . . . . . Scandinavia	G . . . . . Germany	UT . . . . . Taiwan
U . . . . . Universal Type	No mark indicates all area.	

# Packing Materials and Part Numbers

Symbol No. 

M	3	M	M
---	---	---	---



The Marks for Designated Areas		
A	.....	Australia
EN	.....	Scandinavia
U	.....	Universal Type
BS	.....	the U.K.
G	.....	Germany
No mark indicates all area.		
EF	.....	Continental Europe
UT	.....	Taiwan

**—MEMO—**


AX-V6BK

**JVC**

VICTOR COMPANY OF JAPAN, LIMITED

AUDIO DIVISION, YAMATO PLANT, 1644, SHIMOTSURUMA, YAMATO-SHI, KANAGAWA-KEN, 242, JAPAN

(No.20528)

 Printed in Japan  
9505[O]